

HC-11

434MHz Wireless Serial Port Module



Key Words

Half-duplex 80 μ A Idle Current
Number of Bytes Transmitted Unlimited to One time

Table of Contents

I. Module Introduction.....	3
II. Wireless Serial Port Transparent Transmission.....	4
III. Commands.....	7
IV. Precautions.....	11
V. Wireless IO Function.....	12
VI. Application Circuit.....	13
VII. Electrical Characteristics.....	17
VIII. Module Update.....	17
Attachment: Module History.....	17

I. Module Introduction

HC-11 wireless communication frequency band is 434M.

Multiple types of serial port transparent transmission modes have respective features, and the mode is changed by command. (V1.8)

User needn't program the modules, and four modes are only responsible for receiving and sending serial port data, and are convenient to use.

Low current consumption; the idle current is 80 μ A, 3.5mA or 22mA, depending on the selected mode.

The number of bytes sent to serial port of module unlimited to one time.

All functions and parameters are changed by command, and can be saved in case of power failure.

HC11 Pin Definition



模块采用邮票孔封装方式，可贴片焊接，模块大小27.8mm×14.4mm×4mm（包括天线帽，不包括弹簧天线），很方便客户嵌入应用系统之内。模块上有PCB 天线座ANT1，用户可以通过同轴线，使用433M 频段外接天线；模块内也有天线焊接孔ANT2，方便用户焊接弹簧天线。用户可以根据使用要求，选择其中一种天线。

VOC: 3.3V~5V

GND: Ground

RXD: TTL level input port

TXD: TTL level output port

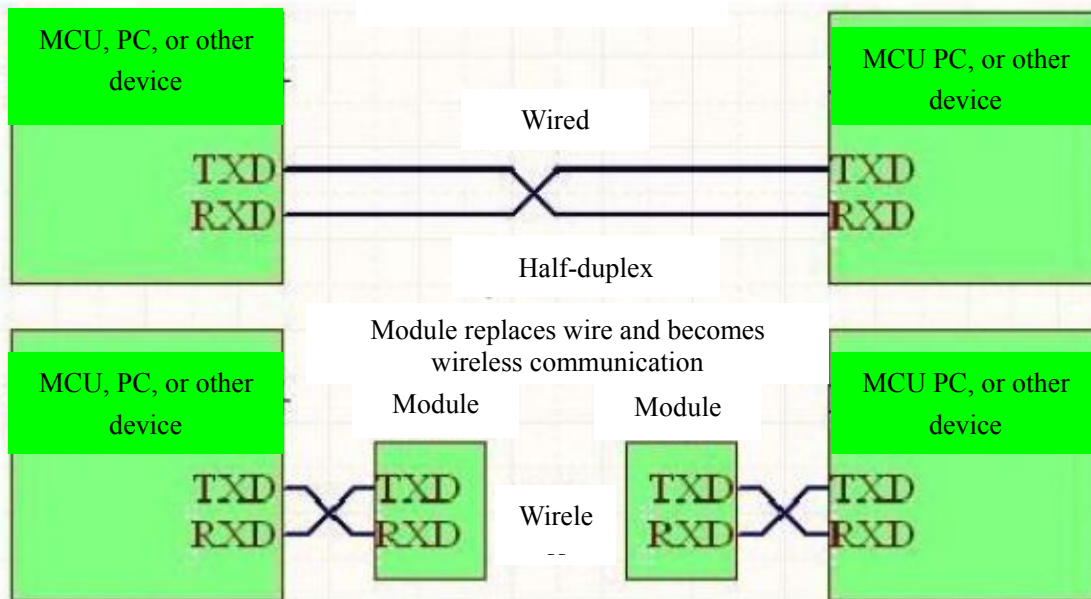
CON: Parameter setting control pin, valid for low level

ANT1: POB antenna pedestal

ANT2: Antenna solder eye

II. Wireless Serial Port Transparent Transmission

Module Function Use Diagram



(1) Simple description of working principle

When the device on the left of the above figure sends serial port data to module, and the RXD port of the left module receives the serial port data, it will automatically send the data in the air by means of radio wave. The right module can automatically receive the data, and restore, from TXD, the serial port data originally sent by the left device. It is the same from right to left.

(2) Characteristics of serial port transparent transmission

The module has four types of serial port transparent transmission modes (this function is valid from V1.8), expressed from FU1 to FU4. All modes are only responsible for receiving and sending serial port data rather than wireless transmission, and are very convenient to use. Each mode has respective characteristics, and details can be seen in the next sub-section. The default mode is FU1 mode, compatible with the previous versions. Different modes cannot transmit data to each other. User could select the optimal mode according to practical circumstances.

The modules are usually used in pairs, and transmit data by means of half duplex (full duplex is available for FU3 mode). The baud rate, communication channel and address of two paired modules shall be set to be the same. Modules of different serial port modes, channels and addresses cannot transmit data to each other.

Use the number of bytes continuously sent to serial port of module unlimited to one time (except for FU2 mode). However, considering ambient interference, if thousands of data size is sent continuously at a time, some number of bytes may be lost.

Working voltage of module is 3.3V~6V, and it can be directly connected to serial port of 3V, 5V microcontroller.

The default parameters of modules are shown in the table below.

Parameter name	Baud rate of serial port	Module address	Communication channel	Transmitting power
Parameter value	9,600 (8-bit data, without check, one stop bit)	000	001	P8 (10dBm)

After entering command mode, serial port transparent transmission function will not be valid. Then the serial port is used to receive the command to change parameters. Parameter change can be seen in Part III Command Instruction.

(3) Interpretation of serial port transparent transmission mode

FU1 mode

It is default mode of module, fully compatible with V1.7. Its current is 3.4mA.

FU2 mode

The idle current (which means that no serial port data are received and sent) of this mode is only 80 μ A averagely, but the time delay is very long, close to 400mS. In this mode, the baud rate of serial port can only be 4,800, 2,400, or 1,200. Due to its long time delay, when sending serial port data to module continuously, at most 245 bytes can be sent at a time.

Owing to its very low current consumption, this mode is suitable to low-power application.

FU3 mode

Its idle current is 23mA, much more than that of FU1 and FU2, but its transmission time delay is reduced to be below 10mS. Accelerate question-and-answer application mode.

FU4 mode

V1.8 The lower the baud rate of serial port is, the farther the transmission distance is, but the transmission time delay will be lengthened. Compared with the other three modes, its transmission distance is farther.

In FU4 mode, when the baud rate of serial port is set to be below 9,600, although the transmission distance is far, the transmission time delay will be much increased. In question-and-answer application, one round trip takes more than 300mS.

The following gives some reference values of various modes (V1.8):

Mode	FU1	FU2	FU3	FU4	Remark
Idle current	3.5mA	80 μ A	22mA	22mA	Average value
Transmission time delay	20mS	380mS	2mS	7 mS	Sending one byte
Loopback test time delay 1	31mS	8mS	22mS		Serial port baud rate 9,600, sending one byte
Loopback test time delay 2	31mS	18mS	40mS		Serial port baud rate 9,600, sending ten bytes

Note: Loopback test time delay means the duration from the time of, after conducting short circuit on TX and RX pins of one module and sending serial port data to the other module, starting to send serial port data to the other module to the time that the returned data appear at TX pin of the other module.

III. Commands

Command is used to set the module parameters and switch the module functions, and modification of parameters and functions will not be lost in case of power failure.

(1) Command mode entering

1. Wireless serial port function command mode entering

The first way to enter: in normal use (energized), put Pin 5 in low level (pull down);

The second way to enter: disconnect power supply, first put Pin 5 in low level, then energize it again, and 1S later enter the command mode;

Either of the above two ways can make the module enter AT command mode; release (not put in low level), and exit from the command mode. If the module function is changed, it will be switched to corresponding functional status.

While, the second way is different, and in V1.7 and previous versions, all parameters can be restored to the default values, and in V1.8, the module enters AT in the serial port format of 9,600, N, 1 constantly.

2. Wireless IO control function command mode entering

Only the second way can be used to enter the mode, but the parameters cannot be restored to the default value and the module only enters AT mode. When exiting from the mode, the module will switch to the status modified by the command.

(2) Command instruction

1. AT

Test command.

e.g.:

Send “AT” to module

And the module returns “OK”

2. AT+A

Change the module address, optional between 000 and 255, and it will be valid after exiting from AT mode. The default value is 000.

e.g.: To set module address to be 012

Send “AT+A012” to module

And the module returns “OK-A012”

3. AT+B

Change the serial port baud rate, and it will be valid after exiting from AT mode. The baud rate can be set to be 1,200, 2,400, 4,800, 9,600, 19,200, 38,400, 57,600, and 115,200. The default value is 9,600.

When using 115,200, continuously sending serial port data is not supported, and at most 245 bytes can be sent at a time.

e.g.: To set serial port baud rate of module to be 19,200

Send “AT+B19200” to module

And the module returns “OK- B19200”

4. AT+C

Change wireless communication channel of module, optional from 001 to 127, and the default value is 001. 0 cannot be omitted. If this value is too high, data might not be received, and about 20 channels are actually available, namely, from 001 to 020.

e.g.: To set module channel to be 015

Send “AT+C015” to module

And the module returns “OK- C015”

5. AT+Eyx

This command is used to set remote module. When remote module enters AT mode, the parameter y will be changed to x, and it will be valid after exiting from AT mode. y is one among BAC, respectively representing baud rate, address and channel, x value can be seen in the instruction of commands Bx, Ax, and Cx. The meaning of returned value is as follows: EyE, parameter error; EyR, set correctly; EyF, command error; Fail, connection failure. (E means external).

Example 1: Set remote module address to be 050

Send “AT+EA050” to module

And when the remote module enters AT mode, the module returns “EAR”, otherwise, it returns “Fail”.

Example 2:

Send “AT+EB4800” to module
And the module returns “EBR”

6. AT+FCyy

Set module to be wireless IO control. See wireless IO part. The first parameter y can select M (controller), S (controlled). The second parameter y can select F (follow), T (turnover). It will be valid after exiting from AT mode.

e.g.:

One module sends “AT+FCMT” to set to controller (remote controller)
And the other module sends “AT+FCST” to set to be controlled

7. AT+FUx

Set module to be wireless serial port function. The value of x is optional within 1 ~ 4. Characteristics of mode can be seen in Part II above. It will be valid after exiting from AT mode. The default of module is serial port function.

Only when serial port function mode of two modules is set to be the same, can normal communication be available.

F means function, and U means UART.

This command is available from V1.8.

e.g.: To set the module to be wireless serial port transparent transmission mode

Send “AT+FU1” to module
And the module returns “OK+FU1”

8. AT+GDPCxAx

This command has been invalid.

Obtain IO status of remote module. Only when remote module is changed by command AT+FCMF, can reading succeed. CxAx is remote module channel and address such as C001A003. Among the returned information, 3, 4, and 5 means Pin 3, 4, and 5, H means level, and L means low level. When reading fails, the module returns Fail.

e.g.:

Send “AT+GDPC001A000” to module
And the module returns “GDPC001A000:3H, 4L, 5H”
Fail

9. AT+Px

Set transmitting power of module, x is optional from 1 to 8, respectively representing -30dBm, -20dBm, -15dBm, -10dBm, 0dBm, 5dBm, 7dBm, and 10dBm; and the default is 8 (namely, 10dBm).

e.g.:

Send “AT+P6” to module

And the module returns “OK-P6”

10. AT+Ry

Obtain module parameters, y is any letter among B, A, C and P, respectively representing: baud rate, address, channel and transmitting power.

Example 1:

Send “AT+RB” to module

And the module returns “B9600”

Example 2:

Send “AT+RA” to module

And the module returns “A001”

11. AT+RX

Obtain all common parameters of module. Return serial port mode, baud rate, channel, address, and transmitting power in order. X is capital.

e.g.:

Send “AT+RX” to module

And the module returns “U1\r\nB9600\r\nC001\r\nA000\r\nP8\r\n”

12. AT+U

Set data check bit and stop bit of serial port communication

N: No check, O: odd; E: even.

1: Stop bit; 2: two bites; 3: 1.5 bits

e.g.: To set serial port format to odd check, and two stop bits

Send “AT+U02” to module

And the module returns “OK-U02”

13. AT+V

Return version information.

e.g.:

Send “AT+V” to module

And the module returns “HC-11_V1.3”.

14. AT+SLEEP

After receiving the command, the module enters sleep mode after exiting from AT, and this mode doesn't allow serial port data transmission. Then enter AT again, and the module will exit from sleep mode automatically. Current consumption of sleep mode is 20 μ A. This command is available from V1.8.

e.g.: When it's not needed to transmit data, to save power,

Send “AT+SLEEP” to module

And the module returns “OK”

15. AT+RESET

Set serial port, channel and address to be default value.

e.g.:

Send “AT+RESET” to module

And the module returns “RESET_OK”.

16. AT+IV

Return version of internal update code of module. This command is available from V1.9.

e.g.:

Send “AT+IV” to module

And the module returns “I1”.

17. AT+UPDATE

Put the module in the status of waiting for software update.

After sending the command, the module will not respond to command any more, until it is re-energized.

After serial port assistant sends this command, close the serial port, select file in HC11 updater, and open the serial port. Then the module can update software version.

IV. Precautions

1. If the distance between two modules is very close (less than 0.5m), it would be better that the transmitting power of two modules are set to be low, e.g. P1 ~ P3. Otherwise, receiving will be saturated and communication between modules will fail. If the distance is only several centimeters, communication cannot be ensured even more.

2. Don't connect LED between TX line of module and power end to increase resistance. Otherwise, serial port communication of module will be affected.

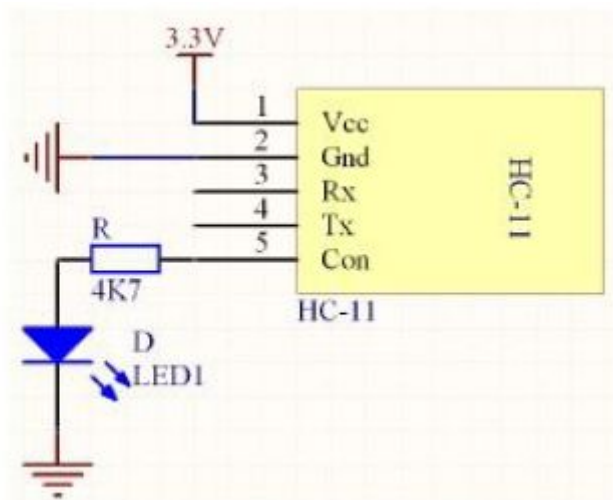
3. The following circumstances usually can be ignored, and they shall be noticed when using dynamic parameters of microcontroller (MCU).

(1) After the device sends the serial port data of last byte to module, only after more than 28mS, can the operation performance of entering AT mode be valid.

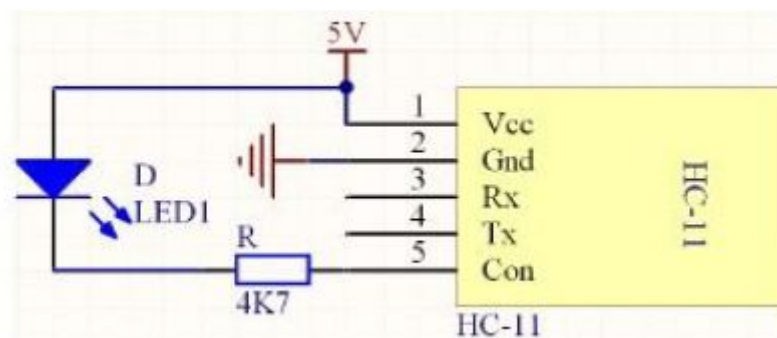
(2) After lowering and connecting Pin 5, command is sent to module only after 30mS. After pulling up Pin 5, module can work normally only after 50Ms.

4. Except when entering command mode, CON (PIN 5) cannot be connected to low level at the early stage of energizing (resetting) in other work mode.

e.g.: in the connecting method as shown in the figure below:



When energizing and working, the module will go to command mode to work. So the correct connecting method is:



V. Wireless IO Function

Module can be set to be wireless IO control function through command.

For the module set to be controller (AT+FCMF command setting), its Pins 3, 4, and 5 can be directly connected to negative and positive terminals of power supply, to control the level status of corresponding pin of remote module.

For the module set to be controlled, driving capability of its Pins 3, 4, and 5 is: When the output is high, and is forced to be low, the current of pin to ground is 18mA. When the level is low, Pins 3, 4 and 5 are connected to ground through an 180R resistance. Pay attention to reducing the output current of IO port as much as possible, and if the output current is extremely high, normal work of module cannot be ensured.

This function has two working modes: level following and level turnover.

Level following

One module sends AT+FCMF, and the other module sends AT+FCSF. After these commands are set, the pin level value of latter module (FCSF) will keep consistent with that of former module (FCMF) all along. For the former module, the interval between two level jumps of IO port shall be at least 50mS, and of course, this time can be ignored if the module is connected to a button.

Level turnover

When the command is modified, one module sends AT+FCMT, the other module sends AT+FCST, and they can work in level turnover mode. When falling edge appears to Pins 3, 4 and 5 of the former module (only respond to falling edge), the level of corresponding pins of latter module will be turned over (from 0 to 1, or from 1 to 0). The level of controlled module is 0 when it is just energized.

VI. Application Circuit

Figure I. Connection between Serial Port Module HC-11 and Computer Serial Port

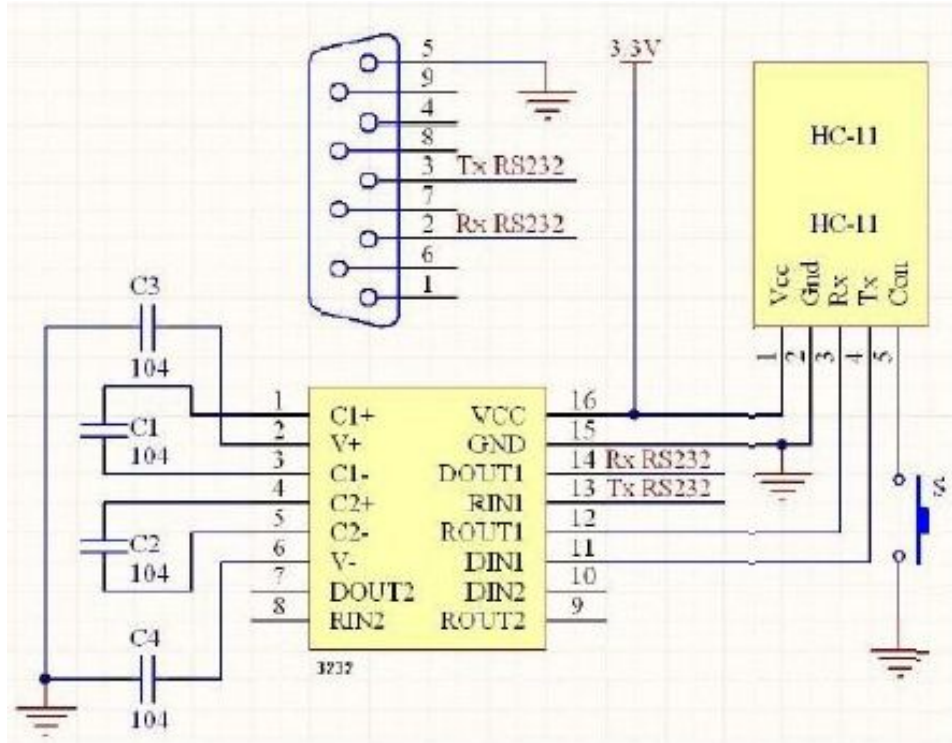


Figure II. Connection between Wireless Serial Port Module HC-11 and Single Chip Microcomputer

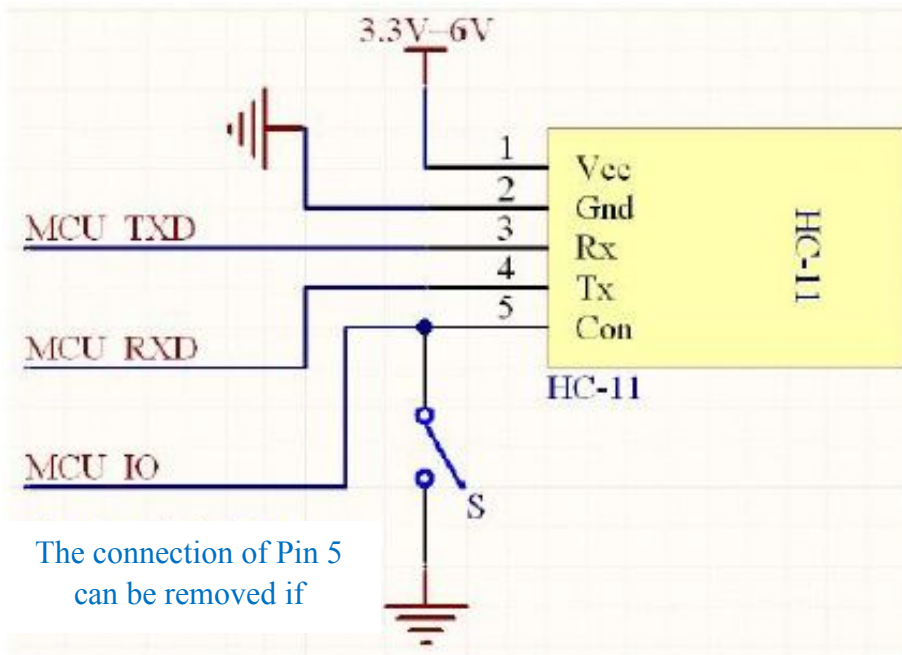


Figure IV. Simple Test of Wireless IO Control

Send AT+FCMF (or AT+FCMT) to change to be wireless IO controller

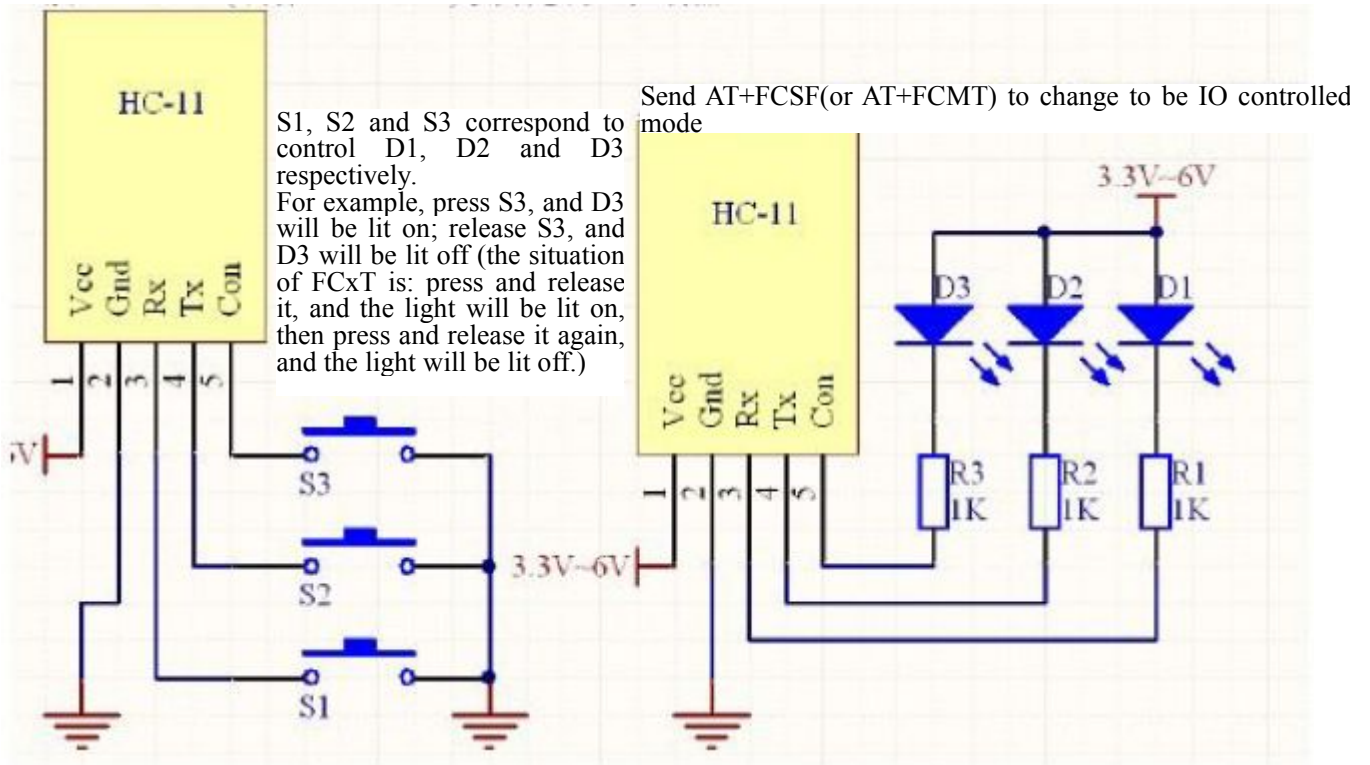
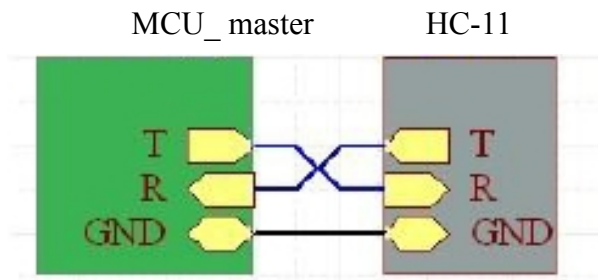


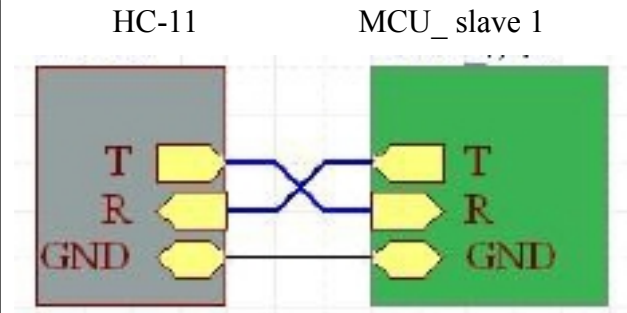
Figure V. One-Master Multi-slave Communication Method

When MCU master sends serial port data, add a byte of slave number before the data.

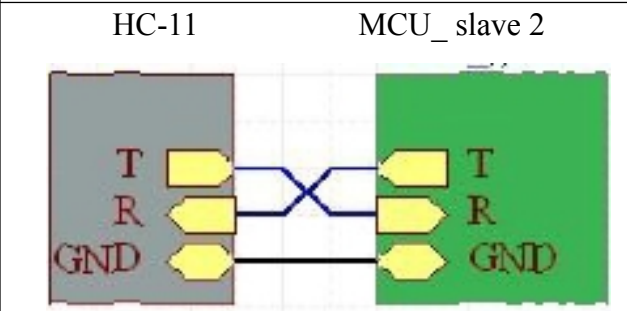
After receiving serial port data, the slave will judge whether the first byte of data is its number, and if the first byte is its number, make response and reply to the master; otherwise, make no action.



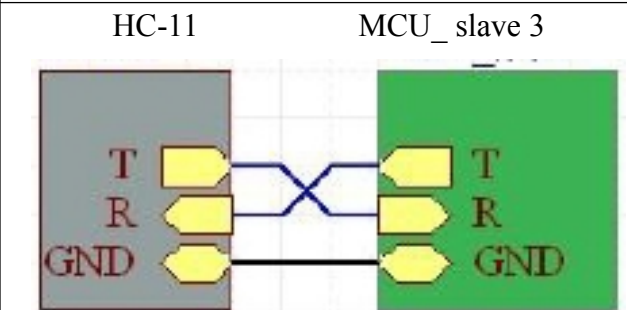
To communicate with slave 1, add '1' before serials port data, and to communicate with slave 2, add '2'.



After receiving serial port data, if slave 1 finds that the number before data is '1', process it and send it back to the master.

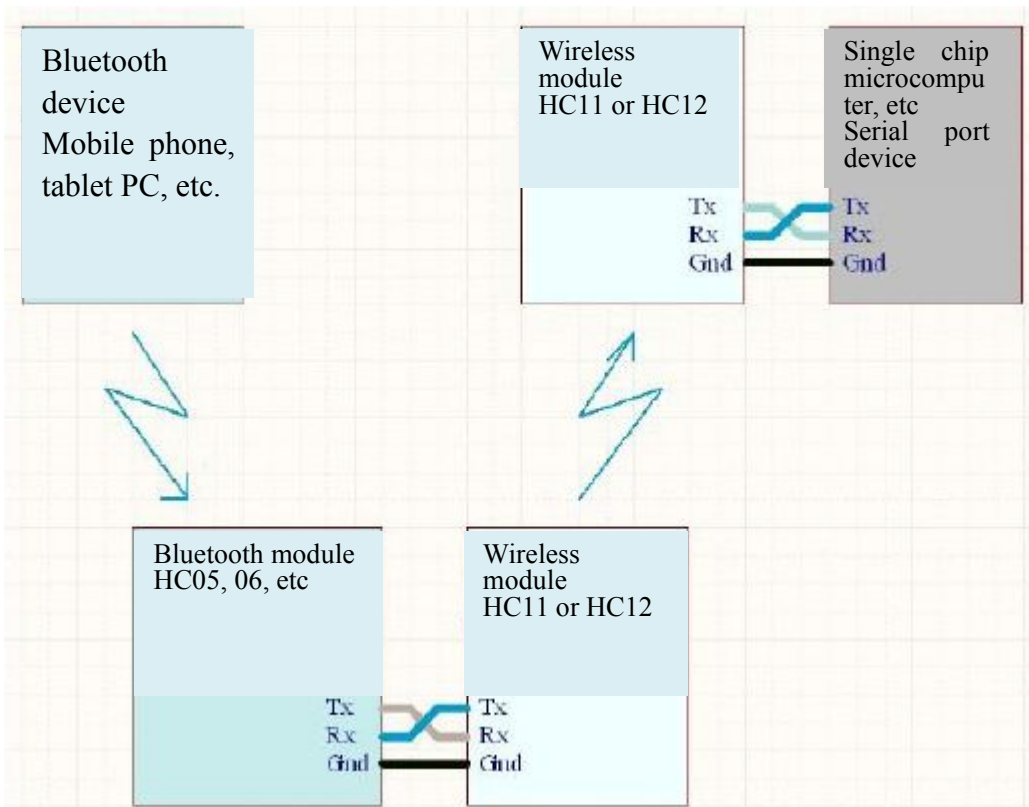


After receiving serial port data, if slave 2 finds that the number before data is '2', process it and send it back to the master.



The same as slave 1 and slave 2

Figure VI. Combined Use of Bluetooth Module and 434M Wireless Module



This use method can increase the wireless communication distance between mobile phone and single chip microcomputer to be 50m.

VII. Electrical Characteristics

Test power voltage is 3.32V. The following measured data are average values. The peak current is 35mA.

1. Current consumption in wireless serial port function mode

Idle current in different function modes:

FU1: 3.5mA

FU2: 80uA

FU3: 22mA

FU4: 22mA

FCxx: 3.5mA

Idle means that the module receives neither serial port data nor wireless data. The maximum peak value is 35mA in the state when module receives serial port data or wireless data.

2. Current consumption in wireless IO control mode

When IO port does not provide current for outside, the current is 3.5mA.