

16 CHANNEL LED DRIVER WITH DOT CORRECTION AND GRAYSCALE PWM CONTROL

FEATURES

- 16 Channels
- 12 bit (4096 Steps) Grayscale PWM Control
- Dot Correction
 - 6 bit (64 Steps)
 - Storable in Integrated EEPROM
- Drive Capability (Constant-Current Sink)
 - 0 mA to 60 mA ($V_{CC} < 3.6\text{ V}$)
 - 0 mA to 120 mA ($V_{CC} > 3.6\text{ V}$)
- LED Power Supply Voltage up to 17 V
- $V_{CC} = 3\text{ V}$ to 5.5 V
- Serial Data Interface
- Controlled In-Rush Current
- 30MHz Data Transfer Rate
- CMOS Level I/O
- Error Information
 - LOD: LED Open Detection
 - TEF: Thermal Error Flag

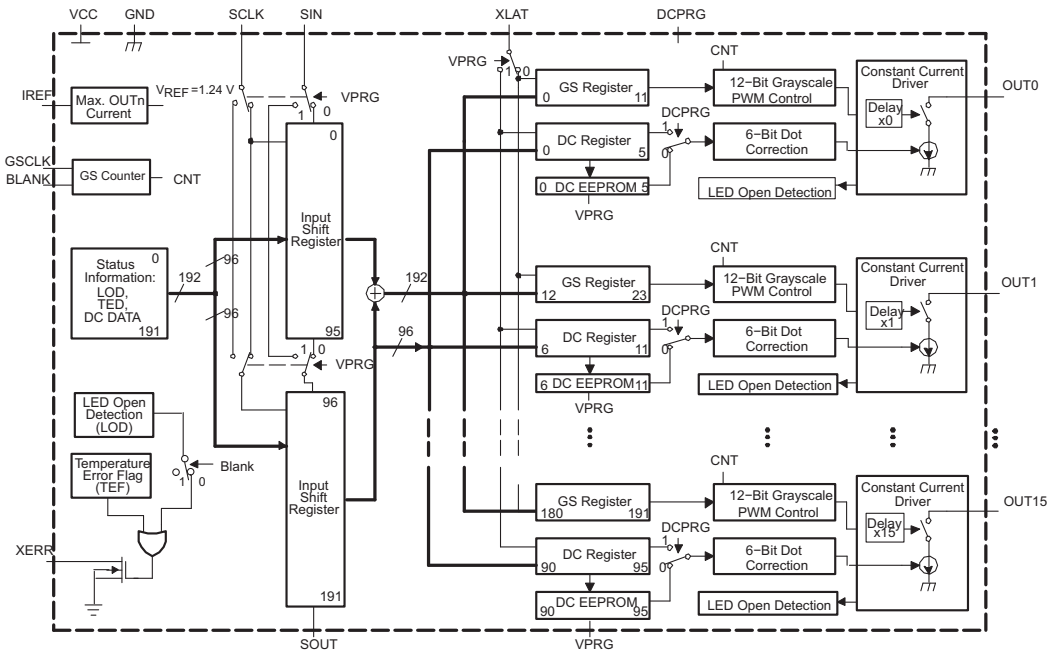
APPLICATIONS

- Monocolor, Multicolor, Full-Color LED Displays
- LED Signboards
- Display Backlighting
- General, High-Current LED Drive

DESCRIPTION

The TLC5940 is a 16-channel, constant-current sink LED driver. Each channel has an individually adjustable 4096-step grayscale PWM brightness control and a 64-step, constant-current sink (dot correction). The dot correction adjusts the brightness variations between LED channels and other LED drivers. The dot correction data is stored in an integrated EEPROM. Both grayscale control and dot correction are accessible via a serial interface. A single external resistor sets the maximum current value of all 16 channels.

The TLC5940 features two error information circuits. The LED open detection (LOD) indicates a broken or disconnected LED at an output terminal. The thermal error flag (TEF) indicates an overtemperature condition.



Please be aware that an important notice concerning availability, standard warranty, and use in critical applications of Texas Instruments semiconductor products and disclaimers thereto appears at the end of this data sheet.

PowerPAD is a trademark of Texas Instruments.



These devices have limited built-in ESD protection. The leads should be shorted together or the device placed in conductive foam during storage or handling to prevent electrostatic damage to the MOS gates.

ORDERING INFORMATION

| T_A | PACKAGE ⁽¹⁾ | PART NUMBER |
|---------------|-------------------------|-------------|
| –40°C to 85°C | 28-pin HTSSOP PowerPAD™ | TLC5940PWP |
| | 32-pin 5mm x 5mm QFN | TLC5940RHB |
| | 28-pin PDIP | TLC5940NT |

(1) For the most current package and ordering information, see the Package Option Addendum at the end of this document, or see the TI website at www.ti.com.

ABSOLUTE MAXIMUM RATINGS.

over operating free-air temperature range (unless otherwise noted)⁽¹⁾

| | | UNIT |
|-----------|--|--|
| V_I | Input voltage range ⁽²⁾ | VCC |
| | | –0.3V to 6V |
| I_O | Output current (dc) | |
| | | 130mA |
| V_I | Input voltage range | $V_{(BLANK)}, V_{(DCPRG)}, V_{(SCLK)}, V_{(XLAT)}, V_{(SIN)}, V_{(GSCLK)}, V_{(IREF)}$ |
| | | –0.3V to $V_{CC} + 0.3V$ |
| V_O | Output voltage range | $V_{(SOUT)}, V_{(XERR)}$ |
| | | –0.3V to $V_{CC} + 0.3V$ |
| | | $V_{(OUT0)}$ to $V_{(OUT15)}$ |
| | | –0.3V to 18V |
| | EEPROM program range | $V_{(VPRG)}$ |
| | | –0.3V to 24V |
| | EEPROM write cycles | |
| | | 50 |
| | ESD rating | HBM (JEDEC JESD22-A114, Human Body Model) |
| | | 2kV |
| | | CBM (JEDEC JESD22-C101, Charged Device Model) |
| | | 500V |
| T_{stg} | Storage temperature range | |
| | | –55°C to 150°C |
| T_A | Operating ambient temperature range | |
| | | –40°C to 85°C |
| | Package thermal impedance ⁽³⁾ | HTSSOP (PWP) ⁽⁴⁾ |
| | | 31.58°C/W |
| | | QFN (RHB) |
| | | 35.9°C/W |
| | | PDIP (NP) |
| | | 48°C/W |

- (1) Stresses beyond those listed under *absolute maximum ratings* may cause permanent damage to the device. These are stress ratings only, and functional operation of the device at these or any other conditions beyond those indicated under *recommended operating conditions* is not implied. Exposure to absolute maximum rated conditions for extended periods may affect device reliability.
- (2) All voltage values are with respect to network ground terminal.
- (3) The package thermal impedance is calculated in accordance with JESD 51-7.
- (4) With PowerPAD soldered on PCB with 2 oz. (56,7 grams) trace of copper. See SLMA002 for further information.

RECOMMENDED OPERATING CONDITIONS

| | | MIN | NOM | MAX | UNIT |
|---|---|--|-----|---------------------|------|
| DC CHARACTERISTICS | | | | | |
| V _{CC} | Supply Voltage | 3 | | 5.5 | V |
| V _O | Voltage applied to output (OUT0–OUT15) | | | 17 | V |
| V _{IH} | High-level input voltage | 0.8 V _{CC} | | V _{CC} | V |
| V _{IL} | Low-level input voltage | GND | | 0.2 V _{CC} | V |
| I _{OH} | High-level output current | V _{CC} = 5V at SOUT | | –1 | mA |
| I _{OL} | Low-level output current | V _{CC} = 5V at SOUT, XERR | | 1 | mA |
| I _{OLC} | Constant output current | OUT0 to OUT15, V _{CC} < 3.6V | | 60 | mA |
| | | OUT0 to OUT15, V _{CC} > 3.6V | | 120 | mA |
| V _(VPRG) | EEPROM program voltage | 20 | 22 | 23 | V |
| T _A | Operating free-air temperature range | –40 | | 85 | °C |
| AC CHARACTERISTICS | | | | | |
| V _{CC} = 3 V to 5.5 V, T _A = –40°C to 85°C (unless otherwise noted) | | | | | |
| f _(SCLK) | Data shift clock frequency | SCLK | | 30 | MHz |
| f _(GSCLK) | Grayscale clock frequency | GSCLK | | 30 | MHz |
| t _{wh0} /t _{wi0} | SCLK pulse duration | SCLK = H/L (see Figure 11) | | 16 | ns |
| t _{wh1} /t _{wi1} | GSCLK pulse duration | GSCLK = H/L (see Figure 11) | | 16 | ns |
| t _{wh2} | XLAT pulse duration | XLAT = H (see Figure 11) | | 20 | ns |
| t _{wh3} | BLANK pulse duration | BLANK = H (see Figure 11) | | 20 | ns |
| t _{su0} | Setup time | SIN to SCLK ↑ ⁽¹⁾ (see Figure 11) | | 5 | ns |
| t _{su1} | | SCLK ↓ to XLAT ↑ (see Figure 11) | | 10 | ns |
| t _{su2} | | VPRG ↑ ↓ to SCLK ↑ (see Figure 11) | | 10 | ns |
| t _{su3} | | VPRG ↑ ↓ XLAT ↑ (see Figure 11) | | 10 | ns |
| t _{su4} | | BLANK ↓ to GSCLK ↑ (see Figure 11) | | 10 | ns |
| t _{su5} | | XLAT ↑ to GSCLK ↑ (see Figure 11) | | 30 | ns |
| t _{su6} | | VPRG ↑ to DCPRG ↑ (see Figure 16) | | 1 | ms |
| t _{h0} | Hold Time | SCLK ↑ to SIN (see Figure 11) | | 3 | ns |
| t _{h1} | | XLAT ↓ to SCLK ↑ (see Figure 11) | | 10 | ns |
| t _{h2} | | SCLK ↑ to VPRG ↑ ↓ (see Figure 11) | | 10 | ns |
| t _{h3} | | XLAT ↓ to VPRG ↑ ↓ (see Figure 11) | | 10 | ns |
| t _{h4} | | GSCLK ↑ to BLANK ↑ (see Figure 11) | | 10 | ns |
| t _{h5} | | DCPRG ↓ to VPRG ↓ (see Figure 11) | | 1 | ms |
| t _{prog} | Programming time for EEPROM (see Figure 16) | | 20 | ms | |

(1) ↑ and ↓ indicates a rising edge, and a falling edge respectively.

DISSIPATION RATINGS

| PACKAGE | POWER RATING T _A < 25°C | DERATING FACTOR ABOVE T _A = 25°C | POWER RATING T _A = 70°C | POWER RATING T _A = 85°C |
|--|---------------------------------------|--|---------------------------------------|---------------------------------------|
| 28-pin HTSSOP with PowerPAD™ ⁽¹⁾ soldered | 3958mW | 31.67mW/°C | 2533mW | 2058mW |
| 28-pin HTSSOP with PowerPAD™ unsoldered | 2026mW | 16.21mW/°C | 1296mW | 1053mW |
| 32-pin QFN ⁽¹⁾ | 3482mW | 27.86mW/°C | 2228mW | 1811mW |
| 28-pin PDIP | 2456mW | 19.65mW/°C | 1572mW | 1277mW |

(1) The PowerPAD is soldered to the PCB with a 2 oz. (56,7 grams) copper trace. See [SLMA002](#) for further information.

ELECTRICAL CHARACTERISTICS
 $V_{CC} = 3\text{ V to }5.5\text{ V}$, $T_A = -40^\circ\text{C to }85^\circ\text{C}$ (unless otherwise noted)

| PARAMETER | | TEST CONDITIONS | MIN | TYP | MAX | UNIT |
|---------------------|--|---|----------------|------------|---------|---------------|
| V_{OH} | High-level output voltage | $I_{OH} = -1\text{ mA}$, SOUT | $V_{CC} - 0.5$ | | | V |
| V_{OL} | Low-level output voltage | $I_{OL} = 1\text{ mA}$, SOUT | | | 0.5 | V |
| I_I | Input current | $V_I = V_{CC}$ or GND; BLANK, DCPRG, GSCLK, SCLK, SIN, XLAT | -1 | | 1 | μA |
| | | $V_I = \text{GND}$; VPRG | -1 | | 1 | |
| | | $V_I = V_{CC}$; VPRG | | | 50 | |
| | | $V_I = 22\text{ V}$; VPRG; DCPRG = V_{CC} | | 4 | 10 | mA |
| I_{CC} | Supply current | No data transfer, all output OFF, $V_O = 1\text{ V}$, $R_{(IREF)} = 10\text{ k}\Omega$ | | 0.9 | 6 | mA |
| | | No data transfer, all output OFF, $V_O = 1\text{ V}$, $R_{(IREF)} = 1.3\text{ k}\Omega$ | | 5.2 | 12 | |
| | | Data transfer 30MHz, all output ON, $V_O = 1\text{ V}$, $R_{(IREF)} = 1.3\text{ k}\Omega$ | | 16 | 25 | |
| | | Data transfer 30MHz, all output ON, $V_O = 1\text{ V}$, $R_{(IREF)} = 640\Omega$ | | 30 | 60 | |
| $I_{O(LC)}$ | Constant sink current (see Figure 2) | All output ON, $V_O = 1\text{ V}$, $R_{(IREF)} = 640\Omega$ | 54 | 61 | 69 | mA |
| I_{ikg} | Leakage output current | All output OFF, $V_O = 15\text{ V}$, $R_{(IREF)} = 640\Omega$, OUT0 to OUT15 | | | 0.1 | μA |
| $\Delta I_{O(LC0)}$ | Constant sink current error (see Figure 2) | All output ON, $V_O = 1\text{ V}$, $R_{(IREF)} = 640\Omega$, OUT0 to OUT15, $-20^\circ\text{C to }85^\circ\text{C}$ | | 1 | ± 4 | % |
| | | All output ON, $V_O = 1\text{ V}$, $R_{(IREF)} = 640\Omega$, OUT0 to OUT15 ⁽¹⁾ | | 1 | 8 | |
| | | All output ON, $V_O = 1\text{ V}$, $R_{(IREF)} = 320\Omega$, OUT0 to OUT15, $-20^\circ\text{C to }85^\circ\text{C}$ | | 1 | 6 | |
| | | All output ON, $V_O = 1\text{ V}$, $R_{(IREF)} = 320\Omega$, $V_{CC} = 4.5\text{ V to }5.5\text{ V}$, OUT0 to OUT15 ⁽¹⁾ | | ± 1 | ± 8 | |
| $\Delta I_{O(LC1)}$ | Constant sink current error (see Figure 2) | Device to device, Averaged current from OUT0 to OUT15, $R_{(IREF)} = 1920\Omega$ (20mA) ⁽²⁾ | | -2 +0.4 | 4 | % |
| $\Delta I_{O(LC2)}$ | Constant sink current error (see Figure 2) | Device to device, Averaged current from OUT0 to OUT15, $R_{(IREF)} = 480\Omega$ (80mA) ⁽²⁾ | | -2.7 +2 | ± 4 | % |
| $\Delta I_{O(LC3)}$ | Line regulation (see Figure 2) | All output ON, $V_O = 1\text{ V}$, $R_{(IREF)} = 640\Omega$, OUT0 to OUT15, $V_{CC} = 3\text{ V to }5.5\text{ V}$ ⁽³⁾ | | 1 | ± 4 | %/V |
| | | All output ON, $V_O = 1\text{ V}$, $R_{(IREF)} = 320\Omega$, OUT0 to OUT15, $V_{CC} = 3\text{ V to }5.5\text{ V}$ ⁽³⁾ | | ± 1 | ± 6 | %/V |
| $\Delta I_{O(LC4)}$ | Load regulation (see Figure 2) | All output ON, $V_O = 1\text{ V to }3\text{ V}$, $R_{(IREF)} = 640\Omega$, OUT0 to OUT15 ⁽⁴⁾ | | ± 2 | ± 6 | %/V |
| | | All output ON, $V_O = 1\text{ V to }3\text{ V}$, $R_{(IREF)} = 320\Omega$, OUT0 to OUT15 ⁽⁴⁾ | | 2 | 8 | %/V |
| $T_{(TEF)}$ | Thermal error flag threshold | Junction temperature ⁽⁵⁾ | 150 | | 170 | C |
| $V_{(LED)}$ | LED open detection threshold | | | 0.3 | 0.4 | V |
| $V_{(IREF)}$ | Reference voltage output | $R_{(IREF)} = 640\Omega$ | 1.20 | 1.24 | 1.28 | V |

- (1) The deviation of each output from the average of OUT0-15 constant current. It is calculated by Equation 1 in Table 1.
- (2) The deviation of average of OUT1-15 constant current from the ideal constant-current value. It is calculated by Equation 2 in Table 1. The ideal current is calculated by Equation 3 in Table 1.
- (3) The line regulation is calculated by Equation 4 in Table 1.
- (4) The load regulation is calculated by Equation 5 in Table 1.
- (5) Not tested. Specified by design

Table 1. Test Parameter Equations

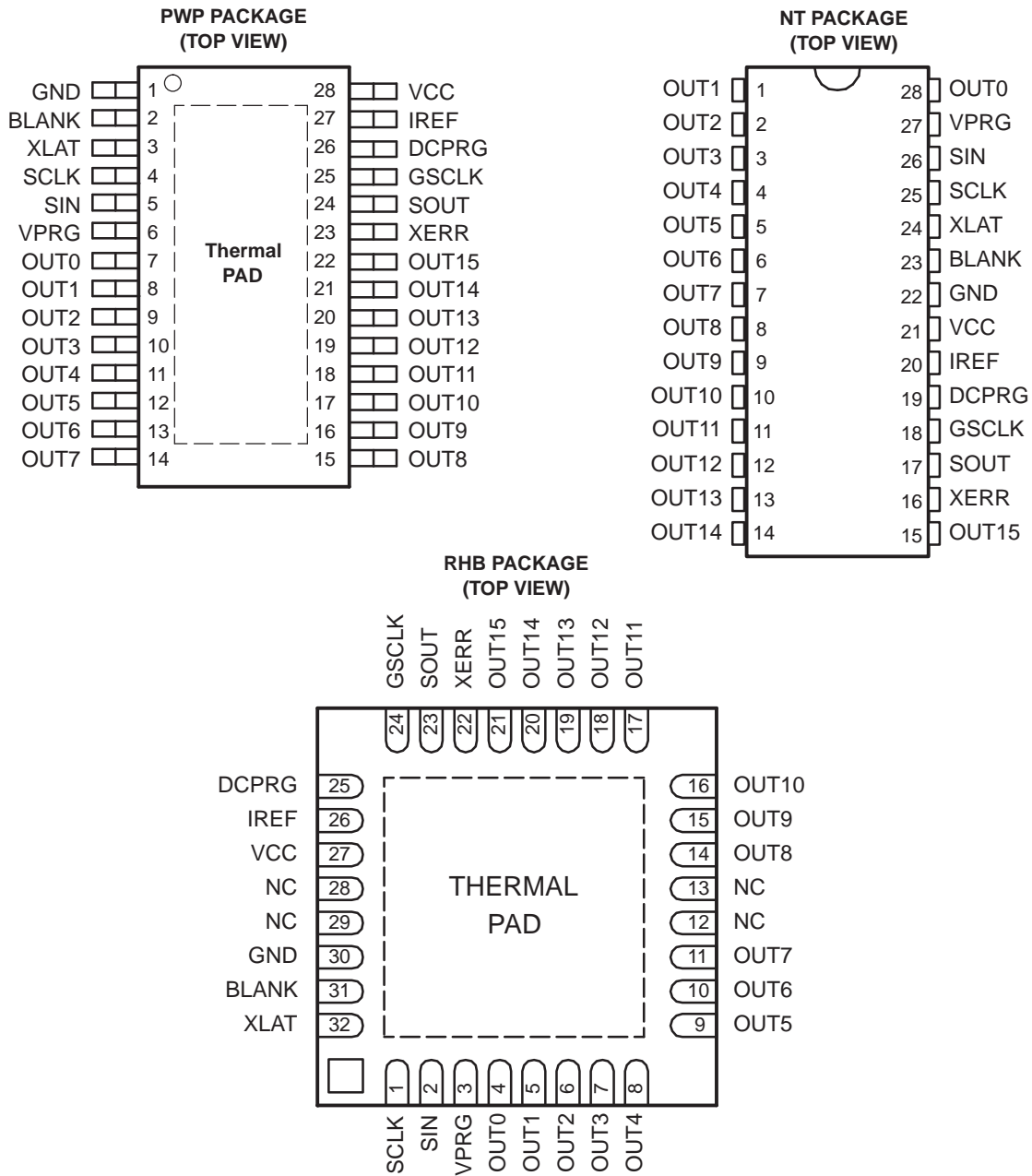
| | |
|--|------------|
| $\Delta(\%) = \frac{I_{OUTn} - I_{OUTavg_0-15}}{I_{OUTavg_0-15}} \times 100$ | (1) |
| $\Delta(\%) = \frac{I_{OUTavg} - I_{OUT(IDEAL)}}{I_{OUT(IDEAL)}} \times 100$ | (2) |
| $I_{OUT(IDEAL)} = 31.5 \times \left(\frac{1.24V}{R_{IREF}} \right)$ | (3) |
| $\Delta(\%/V) = \frac{(I_{OUTn} \text{ at } V_{CC} = 5.5V) - (I_{OUTn} \text{ at } V_{CC} = 3.0V)}{(I_{OUTn} \text{ at } V_{CC} = 3.0V)} \times \frac{100}{2.5}$ | (4) |
| $\Delta(\%/V) = \frac{(I_{OUTn} \text{ at } V_{OUTn} = 3.0V) - (I_{OUTn} \text{ at } V_{OUTn} = 1.0V)}{(I_{OUTn} \text{ at } V_{OUTn} = 1.0V)} \times \frac{100}{2.0}$ | (5) |

SWITCHING CHARACTERISTICS

V_{CC} = 3V to 5.5V, T_A = -40°C to 85°C (unless otherwise noted)

| PARAMETER | | TEST CONDITIONS | MIN | TYP | MAX | UNIT |
|---------------------|------------------------|---|-----|-----|------|------|
| t _{r0} | Rise time | SOUT | | | 16 | ns |
| t _{r1} | | OUTn, V _{CC} = 5V, T _A = 60°C, DCn = 3Fh | | 10 | 30 | |
| t _{f0} | Fall time | SOUT | | | 16 | ns |
| t _{f1} | | OUTn, V _{CC} = 5V, T _A = 60°C, DCn = 3Fh | | 10 | 30 | |
| t _{pd0} | Propagation delay time | SCLK to SOUT (see Figure 11) | | | 30 | ns |
| t _{pd1} | | BLANK to OUT0 | | | 60 | ns |
| t _{pd2} | | OUTn to XERR (see Figure 11) | | | 1000 | ns |
| t _{pd3} | | GSCLK to OUT0 (see Figure 11) | | | 60 | ns |
| t _{pd4} | | XLAT to I _{OUT} (dot correction) (see Figure 11) | | | 60 | ns |
| t _{pd5} | | DCPRG to OUT0 (see Figure 11) | | | 30 | ns |
| t _d | Output delay time | OUTn to OUT(n+1) (see Figure 11) | | 20 | 30 | ns |
| t _{on-err} | Output on-time error | t _{outon} - T _{gsclk} (see Figure 11), GS _n = 01h, GSCLK = 11 MHz | 10 | -50 | -90 | ns |

DEVICE INFORMATION



NC – No internal connection

TERMINAL FUNCTION

| NAME | TERMINAL NO. | | | I/O | DESCRIPTION |
|-------|--------------|-----|-------------------|-----|---|
| | DIP | PWP | RHB | | |
| BLANK | 23 | 2 | 31 | I | Blank all outputs. When BLANK = H, all OUTn outputs are forced OFF. GS counter is also reset. When BLANK = L, OUTn are controlled by grayscale PWM control. |
| DCPRG | 19 | 26 | 25 | I | Switch DC data input. When DCPRG = L, DC is connected to EEPROM. When DCPRG = H, DC is connected to the DC register. DCPRG also controls EEPROM writing, when VPRG = $V_{(PRG)}$. EEPROM data = 3Fh (default) |
| GND | 22 | 1 | 30 | G | Ground |
| GSCLK | 18 | 25 | 24 | I | Reference clock for grayscale PWM control |
| IREF | 20 | 27 | 26 | I | Reference current terminal |
| NC | – | – | 12, 13, 28, 29 | | No connection |
| OUT0 | 28 | 7 | 4 | O | Constant current output |
| OUT1 | 1 | 8 | 5 | O | Constant current output |
| OUT2 | 2 | 9 | 6 | O | Constant current output |
| OUT3 | 3 | 10 | 7 | O | Constant current output |
| OUT4 | 4 | 11 | 8 | O | Constant current output |
| OUT5 | 5 | 12 | 9 | O | Constant current output |
| OUT6 | 6 | 13 | 10 | O | Constant current output |
| OUT7 | 7 | 14 | 11 | O | Constant current output |
| OUT8 | 8 | 15 | 14 | O | Constant current output |
| OUT9 | 9 | 16 | 15 | O | Constant current output |
| OUT10 | 10 | 17 | 16 | O | Constant current output |
| OUT11 | 11 | 18 | 17 | O | Constant current output |
| OUT12 | 12 | 19 | 18 | O | Constant current output |
| OUT13 | 13 | 20 | 19 | O | Constant current output |
| OUT14 | 14 | 21 | 20 | O | Constant current output |
| OUT15 | 15 | 22 | 21 | O | Constant current output |
| SCLK | 25 | 4 | 1 | I | Serial data shift clock |
| SIN | 26 | 5 | 2 | I | Serial data input |
| SOUT | 17 | 24 | 23 | O | Serial data output |
| VCC | 21 | 28 | 27 | I | Power supply voltage |
| VPRG | 27 | 6 | 3 | I | Multifunction input pin. When VPRG = GND, the device is in GS mode. When VPRG = V_{CC} , the device is in DC mode. When VPRG = $V_{(VPRG)}$, DC register data can programmed into DC EEPROM with DCPRG=HIGH. EEPROM data = 3Fh (default) |
| XERR | 16 | 23 | 22 | O | Error output. XERR is an open-drain terminal. XERR goes L when LOD or TEF is detected. |
| XLAT | 24 | 3 | 32 | I | Level triggered latch signal. When XLAT = high, the TLC5940 writes data from the input shift register to either GS register (VPRG = low) or DC register (VPRG = high). When XLAT = low, the data in GS or DC register is held constant. |

PARAMETER MEASUREMENT INFORMATION

PIN EQUIVALENT INPUT AND OUTPUT SCHEMATIC DIAGRAMS

Resistor values are equivalent resistances, and they are not tested.

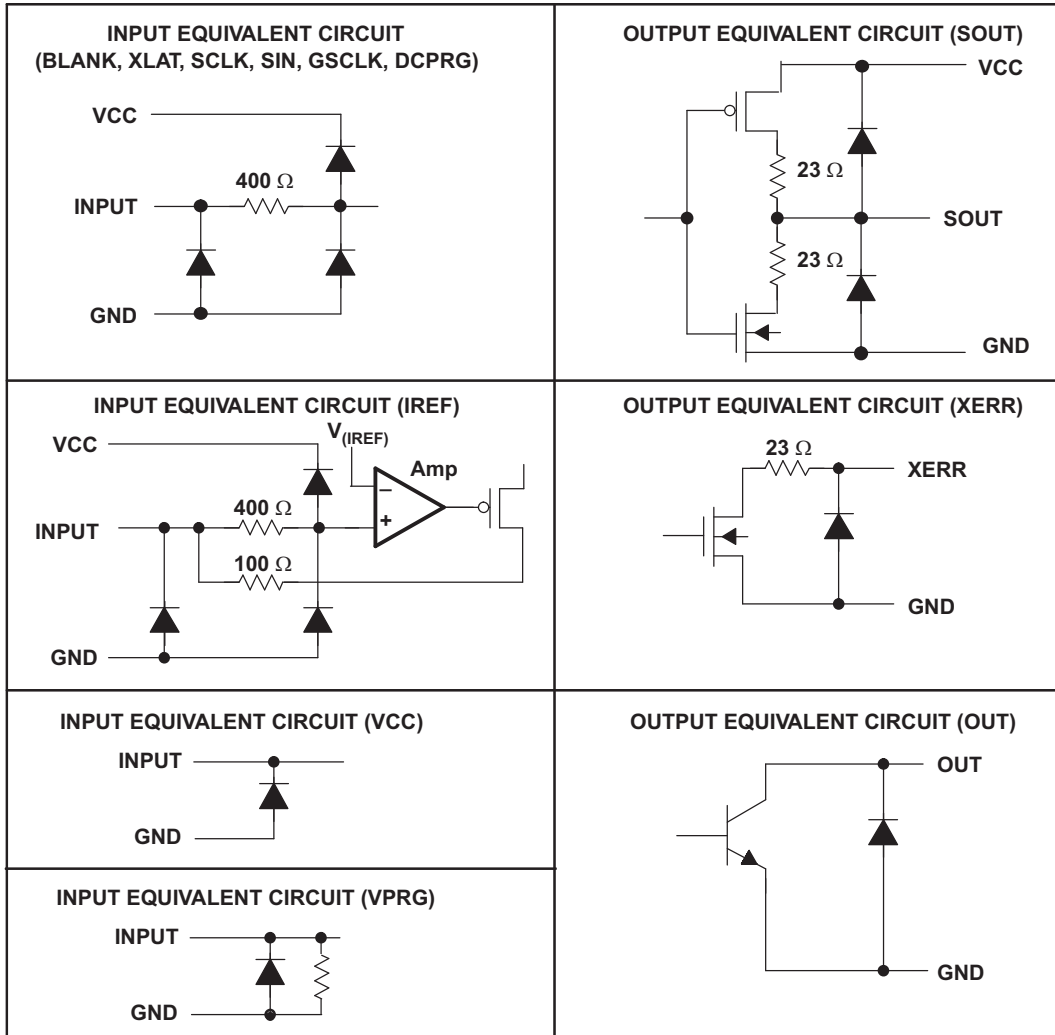


Figure 1. Input and Output Equivalent Circuits

PARAMETER MEASUREMENT INFORMATION (continued)

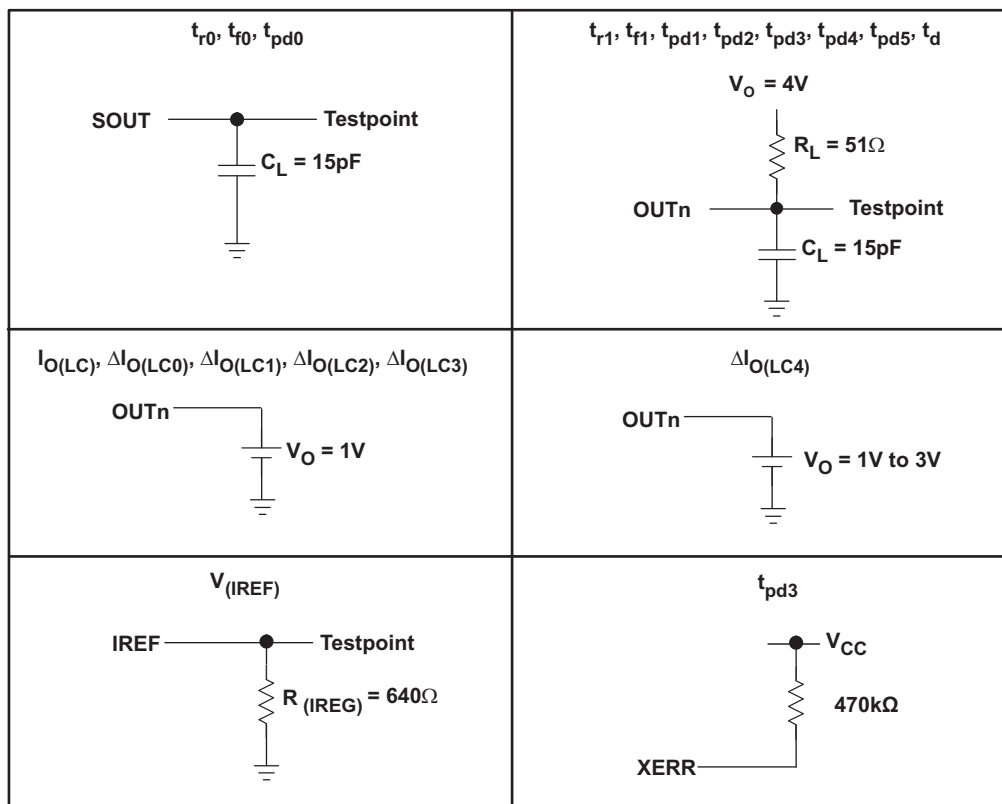


Figure 2. Parameter Measurement Circuits

TYPICAL CHARACTERISTICS

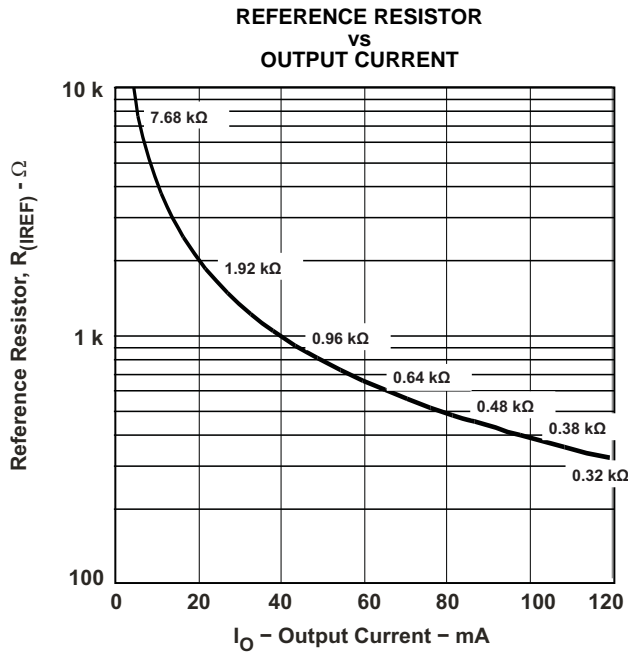


Figure 3.

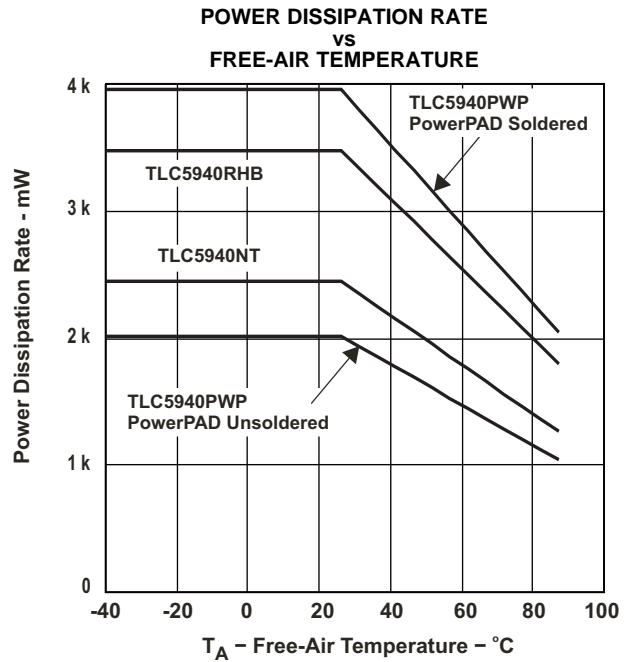


Figure 4.

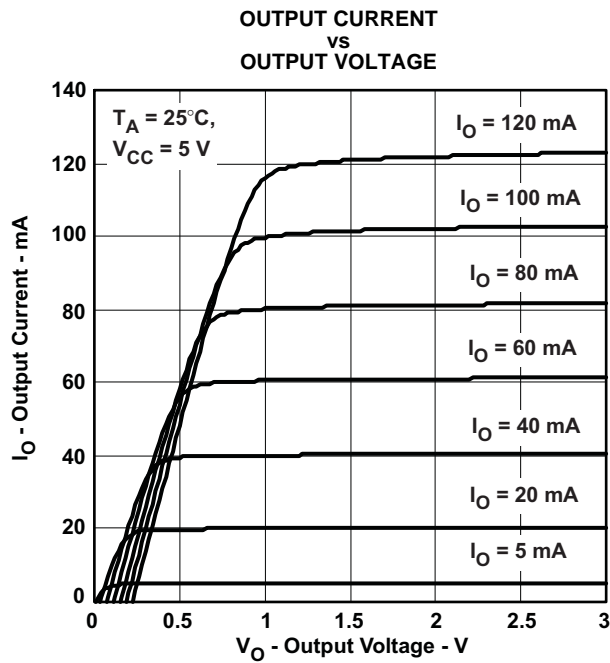


Figure 5.

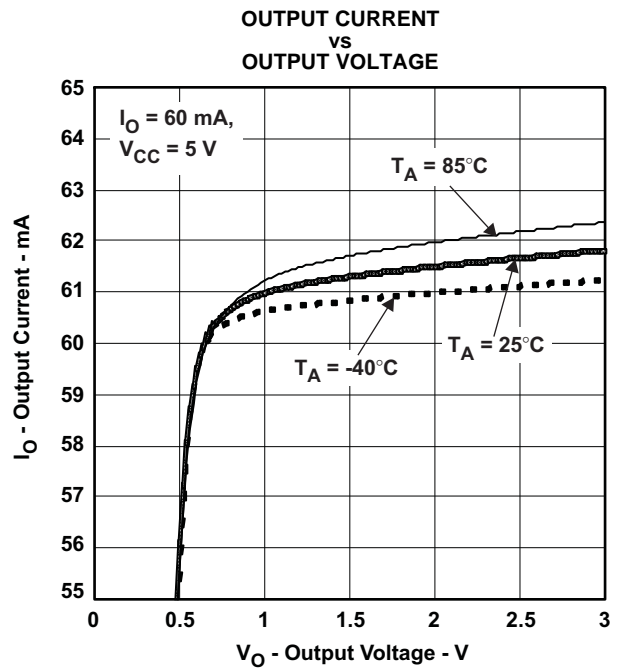


Figure 6.

TYPICAL CHARACTERISTICS (continued)

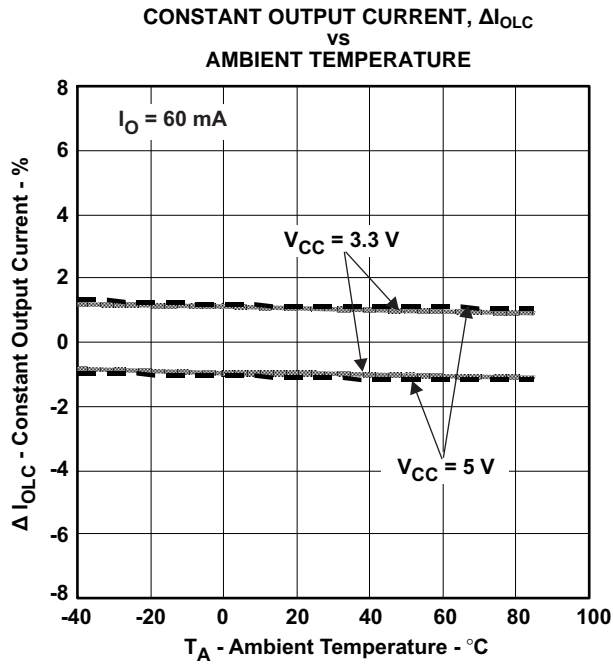


Figure 7.

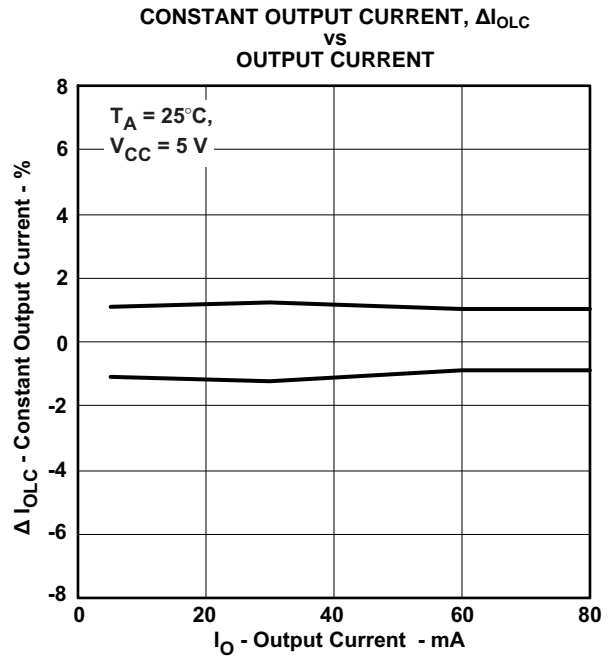


Figure 8.

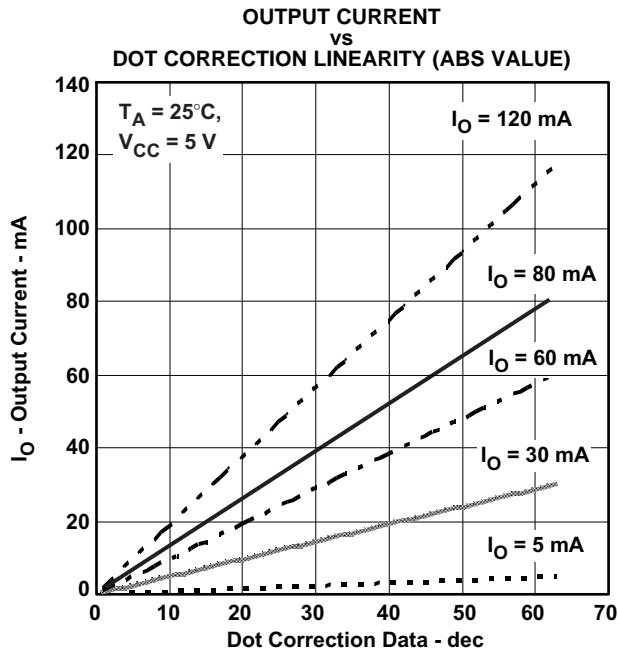


Figure 9.

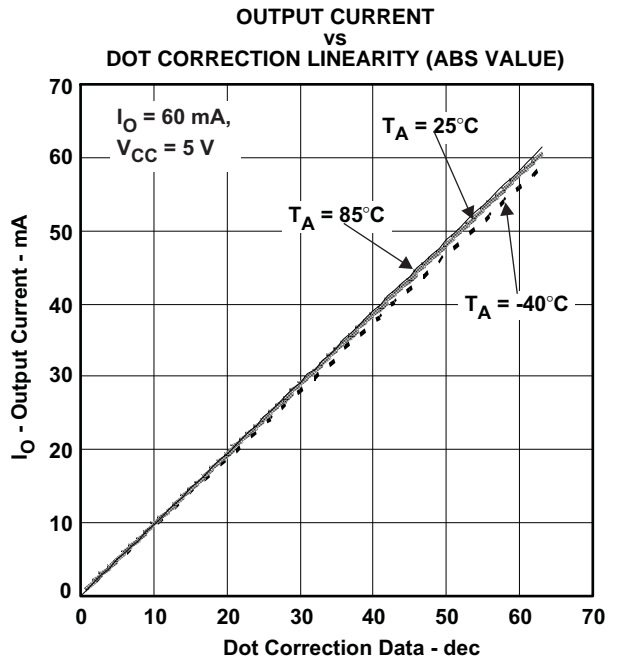


Figure 10.

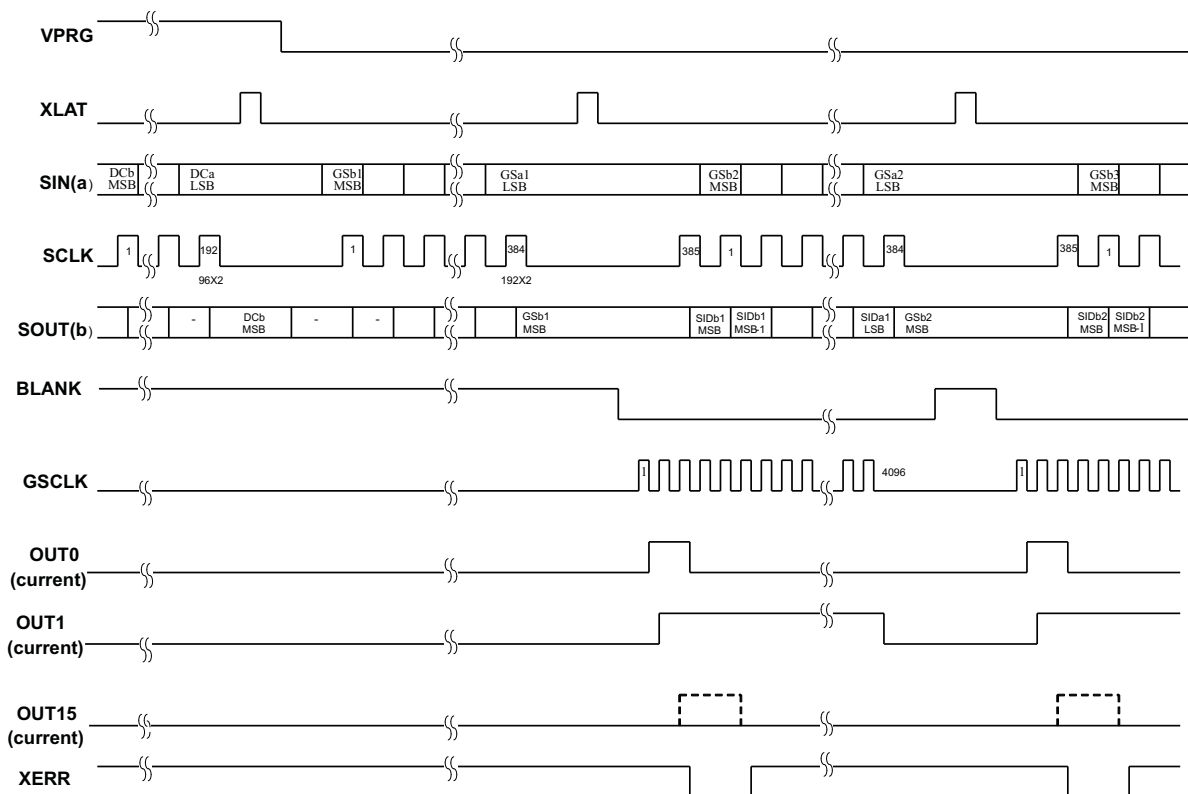


Figure 13. Timing Chart for Two Cascaded TLC5940 Devices

ERROR INFORMATION OUTPUT

The open-drain output XERR is used to report both of the TLC5940 error flags, TEF and LOD. During normal operating conditions, the internal transistor connected to the XERR pin is turned off. The voltage on XERR is pulled up to V_{CC} through an external pullup resistor. If TEF or LOD is detected, the internal transistor is turned on, and XERR is pulled to GND. Since XERR is an open-drain output, multiple ICs can be OR'ed together and pulled up to V_{CC} with a single pullup resistor. This reduces the number of signals needed to report a system error (see Figure 22).

To differentiate LOD and TEF signal from XERR pin, LOD can be masked out with BLANK = HIGH.

Table 2. XERR Truth Table

| ERROR CONDITION | | ERROR INFORMATION | | SIGNALS | |
|-------------------|--------------------|-------------------|-----|---------|------|
| TEMPERATURE | OUTn VOLTAGE | TEF | LOD | BLANK | XERR |
| $T_J < T_{(TEF)}$ | Don't Care | L | X | H | H |
| $T_J > T_{(TEF)}$ | Don't Care | H | X | | L |
| $T_J < T_{(TEF)}$ | $OUTn > V_{(LED)}$ | L | L | L | H |
| | $OUTn < V_{(LED)}$ | L | H | | L |
| $T_J > T_{(TEF)}$ | $OUTn > V_{(LED)}$ | H | L | | L |
| | $OUTn < V_{(LED)}$ | H | H | | L |

TEF: THERMAL ERROR FLAG

The TLC5940 provides a temperature error flag (TEF) circuit to indicate an overtemperature condition of the IC. If the junction temperature exceeds the threshold temperature (160C typical), TEF becomes H and XERR pin goes to low level. When the junction temperature becomes lower than the threshold temperature, TEF becomes L and XERR pin becomes high impedance. TEF status can also be read out from the TLC5940 status register.

LOD: LED OPEN DETECTION

The TLC5940 has an LED-open detector that detects broken or disconnected LEDs. The LED open detector pulls the XERR pin to GND when an open LED is detected. XERR and the corresponding error bit in the Status Information Data is only active under the following open-LED conditions.

1. OUTn is on and the time tpd2 (1 μ s typical) has passed.
2. The voltage of OUTn is < 0.3V (typical)

The LOD status of each output can be also read out from the SOUT pin. See STATUS INFORMATION OUTPUT section for details. The LOD error bits are latched into the Status Information Data when XLAT returns to a low after a high. Therefore, the XLAT pin must be pulsed high then low while XERR is active in order to latch the LOD error into the Status Information Data for subsequent reading via the serial shift register.

DELAY BETWEEN OUTPUTS

The TLC5940 has graduated delay circuits between outputs. These circuits can be found in the constant current driver block of the device (see the functional block diagram). The fixed-delay time is 20ns (typical), OUT0 has no delay, OUT1 has 20ns delay, and OUT2 has 40ns delay, etc. The maximum delay is 300ns from OUT0 to OUT15. The delay works during switch on and switch off of each output channel. These delays prevent large inrush currents which reduces the bypass capacitors when the outputs turn on.

OUTPUT ENABLE

All OUTn channels of the TLC5940 can be switched off with one signal. When BLANK is set high, all OUTn channels are disabled, regardless of logic operations of the device. The grayscale counter is also reset. When BLANK is set low, all OUTn channels work under normal conditions. If BLANK goes low and then back high again in less than 300ns, all outputs programmed to turn on still turn on for either the programmed number of grayscale clocks, or the length of time that the BLANK signal was low, which ever is lower. For example, if all outputs are programmed to turn on for 1ms, but the BLANK signal is only low for 200ns, all outputs still turn on for 200ns, even though some outputs are turning on after the BLANK signal has already gone high.

Table 3. BLANK Signal Truth Table

| BLANK | OUT0 - OUT15 |
|-------|------------------|
| LOW | Normal condition |
| HIGH | Disabled |

SETTING MAXIMUM CHANNEL CURRENT

The maximum output current per channel is programmed by a single resistor, $R_{(IREF)}$, which is placed between IREF pin and GND pin. The voltage on IREF is set by an internal band gap $V_{(IREF)}$ with a typical value of 1.24V. The maximum channel current is equivalent to the current flowing through $R_{(IREF)}$ multiplied by a factor of 31.5. The maximum output current per channel can be calculated by [Equation 6](#):

$$I_{max} = \frac{V_{(IREF)}}{R_{(IREF)}} \times 31.5 \quad (6)$$

where:

$$V_{(IREF)} = 1.24 \text{ V}$$

$$R_{(IREF)} = \text{User-selected external resistor.}$$

I_{max} must be set between 5 mA and 120 mA. The output current may be unstable if I_{max} is set lower than 5 mA. Output currents lower than 5 mA can be achieved by setting I_{max} to 5 mA or higher and then using dot correction.

[Figure 3](#) shows the maximum output current I_O versus $R_{(IREF)}$. $R_{(IREF)}$ is the value of the resistor between IREF terminal to GND, and I_O is the constant output current of OUT0 to OUT15. A variable power supply may be connected to the IREF pin through a resistor to change the maximum output current per channel. The maximum output current per channel is 31.5 times the current flowing out of the IREF pin.

POWER DISSIPATION CALCULATION

The device power dissipation must be below the power dissipation rating of the device package to ensure correct operation. Equation 7 calculates the power dissipation of device:

$$P_D = (V_{CC} \times I_{CC}) + (V_{OUT} \times I_{MAX} \times \frac{DC_n}{63} \times d_{PWM} \times N) \quad (7)$$

where:

- V_{CC} : device supply voltage
- I_{CC} : device supply current
- V_{OUT} : TLC5940 OUTn voltage when driving LED current
- I_{MAX} : LED current adjusted by $R_{(IREF)}$ Resistor
- DC_n : maximum dot correction value for OUTn
- N : number of OUTn driving LED at the same time
- d_{PWM} : duty cycle defined by BLANK pin or GS PWM value

OPERATING MODES

The TLC5940 has operating modes depending on the signals DCPRG and VPRG. Table 4 shows the available operating modes. The TPS5940 GS operating mode (see Figure 11) and shift register values are not defined after power up. One solution to solve this is to set dot correction data after TLC5940 power-up and switch back to GS PWM mode. The other solution is to overflow the input shift register with 193 bits of dummy data and latch it while TLC5940 is in GS PWM mode. The values in the input shift register, DC register and GS register are unknown just after power on. The DC and GS register values should be properly stored through the serial interface before starting the operation.

Table 4. TLC5940 Operating Modes Truth Table

| SIGNAL | | INPUT SHIFT REGISTER | MODE | DC VALUE |
|--------|--------------|----------------------|--------------------------------|--|
| DCPRG | VPRG | | | |
| L | GND | 192 bit | Grayscale PWM Mode | EEPROM |
| H | | | | DC Register |
| L | V_{CC} | 96 bit | Dot Correction Data Input Mode | EEPROM |
| H | | | | DC Register |
| L | $V_{(VPRG)}$ | X | EEPROM Programming Mode | EEPROM |
| H | | | | Write dc register value to EEPROM. (Default data: 3Fh) |

SETTING DOT CORRECTION

The TLC5940 has the capability to fine adjust the output current of each channel OUT0 to OUT15 independently. This is also called dot correction. This feature is used to adjust the brightness deviations of LEDs connected to the output channels OUT0 to OUT15. Each of the 16 channels can be programmed with a 6-bit word. The channel output can be adjusted in 64 steps from 0% to 100% of the maximum output current I_{max} . Dot correction for all channels must be entered at the same time. Equation 8 determines the output current for each output n:

$$I_{OUTn} = I_{max} \times \frac{DC_n}{63} \quad (8)$$

where:

- I_{max} = the maximum programmable output current for each output.
- DC_n = the programmed dot correction value for output n ($DC_n = 0$ to 63).
- $n = 0$ to 15

Figure 14 shows the dot correction data packet format which consists of 6 bits x 16 channel, total 96 bits. The format is Big-Endian format. This means that the MSB is transmitted first, followed by the MSB-1, etc. The DC 15.5 in Figure 14 stands for the 5th most significant bit for output 15.

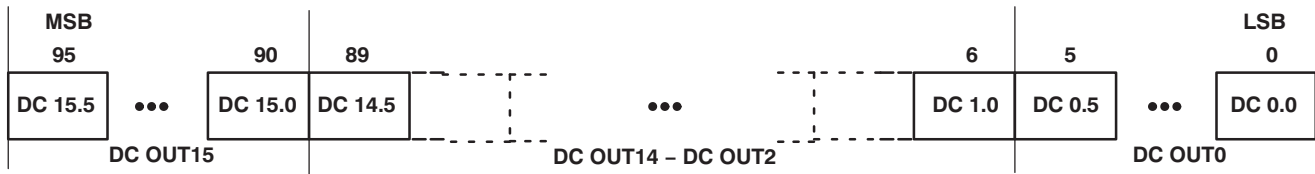


Figure 14. Dot Correction Data Packet Format

When VPRG is set to VCC, the TLC5940 enters the dot correction data input mode. The length of input shift register becomes 96 bits. After all serial data are shifted in, the TLC5940 writes the data in the input shift register to DC register when XLAT is high, and holds the data in the DC register when XLAT is low. The DC register is a level triggered latch of XLAT signal. Since XLAT is a level-triggered signal, SCLK and SIN must not be changed while XLAT is high. After XLAT goes low, data in the DC register is latched and does not change. BLANK signal does not need to be high to latch in new data. XLAT has setup time (t_{su1}) and hold time (t_{h1}) to SCLK as shown in Figure 15.

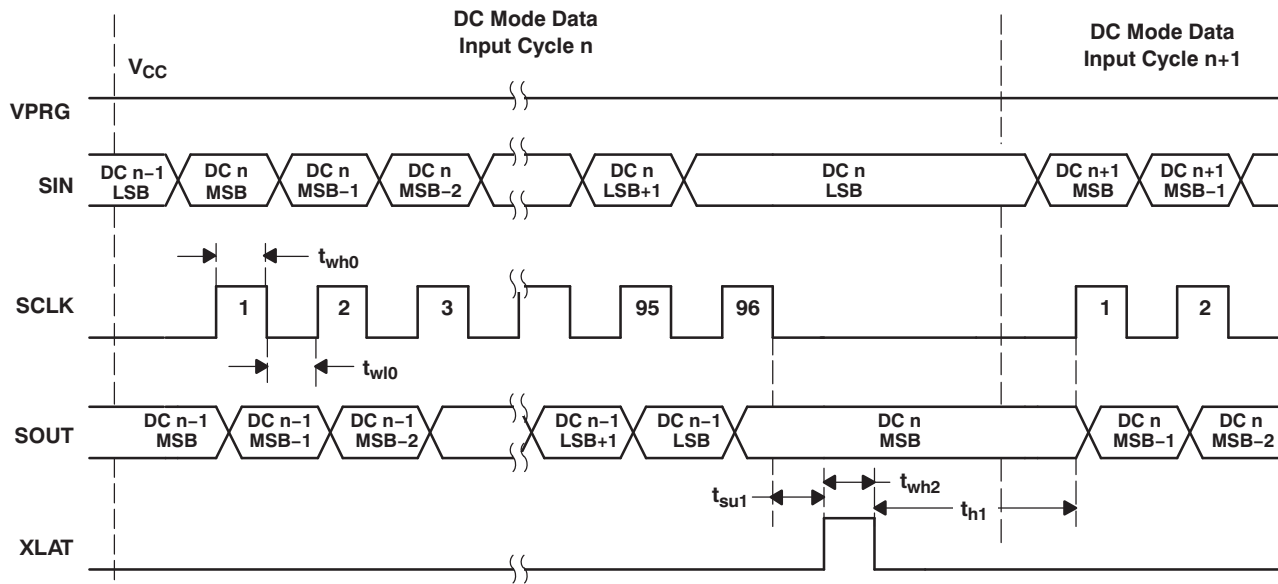


Figure 15. Dot Correction Data Input Timing Chart

The TLC5940 also has an EEPROM to store dot correction data. To store data from the dot correction register to EEPROM, DCPRG is set to high after applying V_{PRG} to the VPRG pin. Figure 16 shows the EEPROM programming timings. The EEPROM has a default value of all 1s.

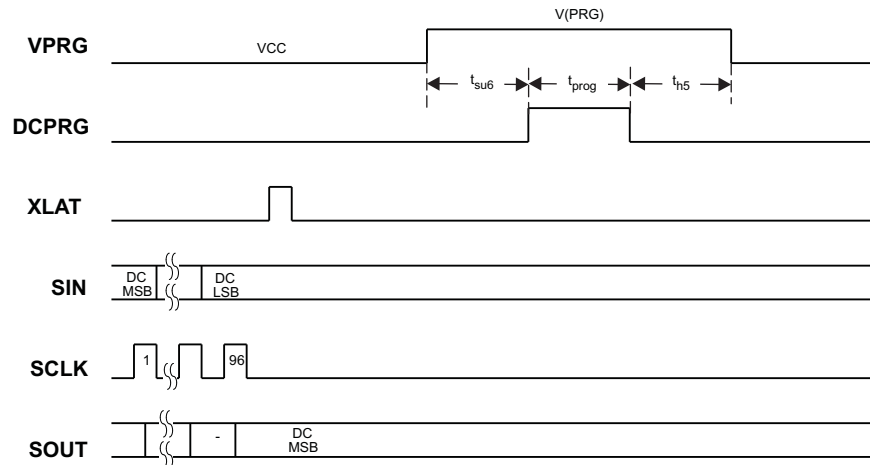


Figure 16. EEPROM Programming Timing Chart

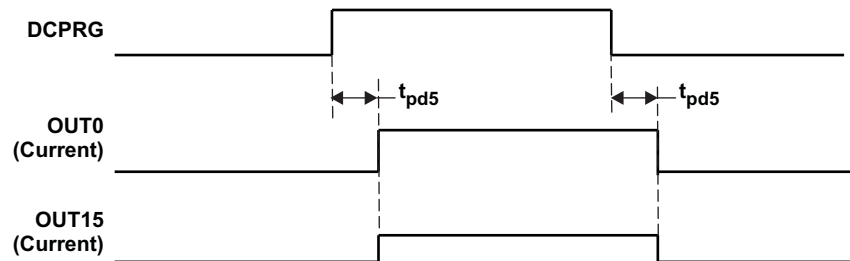


Figure 17. DCPRG and OUTn Timing Diagram

SETTING GRAYSCALE

The TLC5940 can adjust the brightness of each channel OUTn using a PWM control scheme. The use of 12 bits per channel results in 4096 different brightness steps, respective 0% to 100% brightness. Equation 9 determines the brightness level for each output n:

$$\text{Brightness in \%} = \frac{\text{GS}_n}{4095} \times 100 \quad (9)$$

where:

GS_n = the programmed grayscale value for output n (GS_n = 0 to 4095)

n = 0 to 15

Grayscale data for all OUTn

Figure 18 shows the grayscale data packet format which consists of 12 bits x 16 channels, totaling 192 bits. The format is Big-Endian format. This means that the MSB is transmitted first, followed by the MSB-1, etc.



Figure 18. Grayscale Data Packet Format

When VPRG is set to GND, the TLC5940 enters the grayscale data input mode. The device switches the input shift register to 192-bit width. After all data is clocked in, a rising edge of the XLAT signal latches the data into

the grayscale register (see [Figure 11](#)). New grayscale data immediately becomes valid at the rising edge of the XLAT signal; therefore, new grayscale data should be latched at the end of a grayscale cycle when BLANK is high. The first GS data input cycle after dot correction requires an additional SCLK pulse after the XLAT signal to complete the grayscale update cycle. All GS data in the input shift register is replaced with status information data (SID) after updated the grayscale register.

STATUS INFORMATION OUTPUT

The TLC5940 does have a status information register, which can be accessed in grayscale mode (VPRG=GND). After the XLAT signal latches the data into the GS register the input shift register data will be replaced with status information data (SID) of the device (see [Figure 18](#)). LOD, TEF, and dot correction EEPROM data (DCPRG=LOW) or dot correction register data (DCPRG=HIGH) can be read out at SOUT pin. The status information data packet is 192 bits wide. Bits 0-15 contain the LOD status of each channel. Bit 16 contains the TEF status. If DCPRG is low, bits 24-119 contain the data of the dot-correction EEPROM. If DCPRG is high, bits 24-119 contain the data of the dot-correction register. The remaining bits are reserved. The complete status information data packet is shown in [Figure 19](#).

SOUT outputs the MSB of the SID at the same time the SID are stored in the SID register, as shown [Figure 20](#). The next SCLK pulse, which will be the clock for receiving the SMB of the next grayscale data, transmits MSB-1 of SID. If output voltage is $< 0.3\text{ V}$ (typical) when the output sink current turns on, LOD status flage becomes active. The LOD status flag is an internal signal that pulls XERR pin down to low when the LOD status flag becomes active. The delay time, $tpd2$ ($1\text{ }\mu\text{s}$ maximum), is from the time of turning on the output sink current to the time LOD status flage becomes valid. The timing for each channel's LOD status to become valid is shifted by the 30-ns (maximum) channel-to-channel turn-on time. After the first GSCLK goes high, OUT0 LOD status is valid; $tpd3 + tpd2 = 60\text{ ns} + 1\text{ }\mu\text{s}$. OUT1 LOD status is valid; $tpd3 + td + tpd2 = 60\text{ ns} + 30\text{ ns} + 1\text{ }\mu\text{s} = 1.09\text{ }\mu\text{s}$. OUT2 LOD status is valid; $tpd3 + 2*td + tpd2 = 1.12\text{ }\mu\text{s}$, and so on. It takes $1.51\text{ }\mu\text{s}$ maximum ($tpd3 + 15*td + tpd2$) from the first GSCLK rising edge until all LOD become valid; $tsuLOD$ must be $> 1.51\text{ }\mu\text{s}$ (see [Figure 20](#)) to ensure that all LOD data are valid.

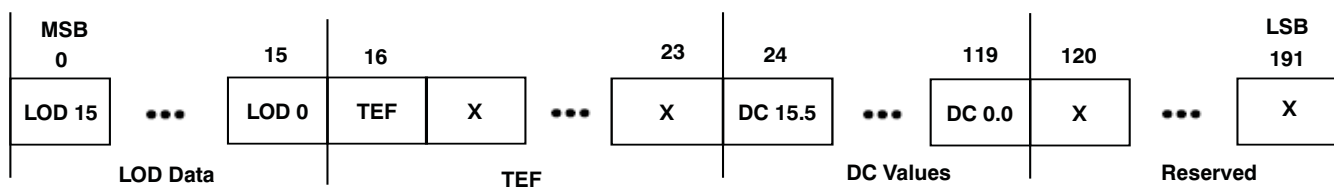


Figure 19. Status Information Data Packet Format

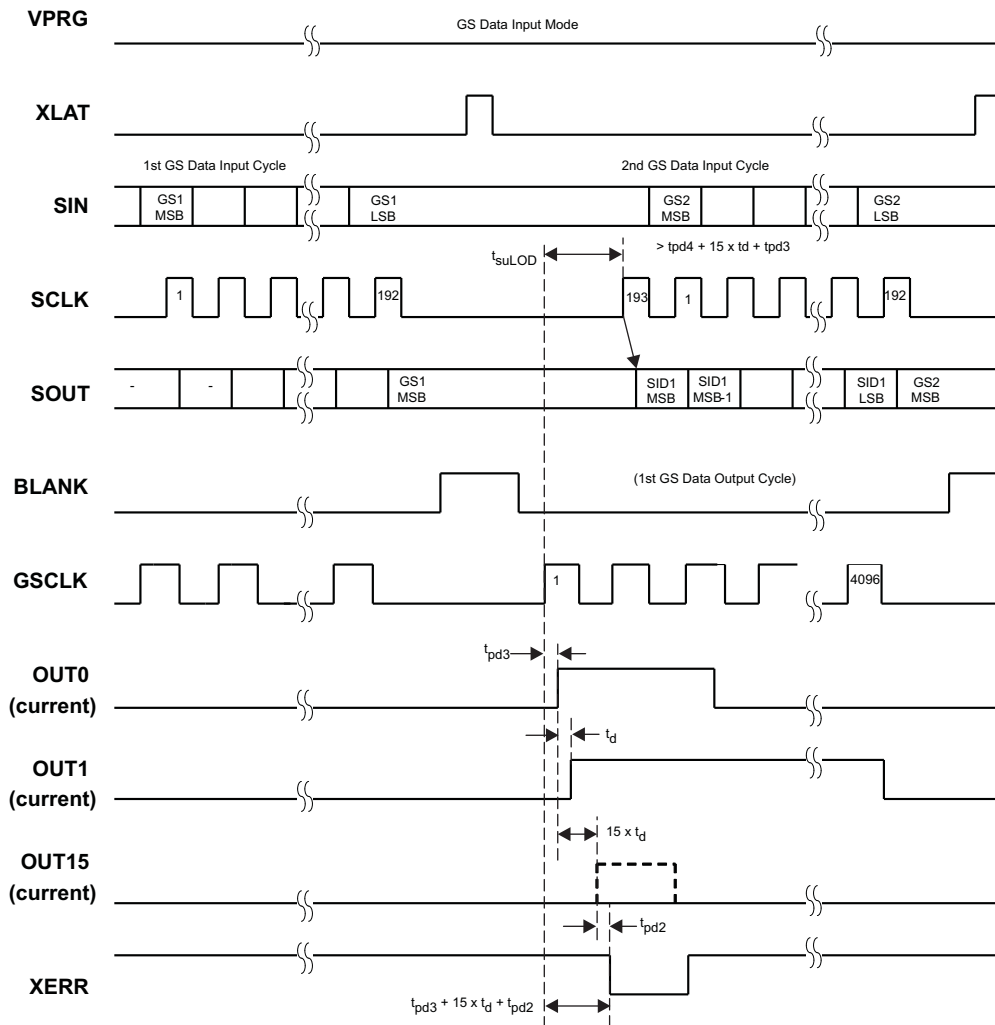


Figure 20. Readout Status Information Data (SID) Timing Chart

GRAYSCALE PWM OPERATION

The grayscale PWM cycle starts with the falling edge of BLANK. The first GSCLK pulse after BLANK goes low increases the grayscale counter by one and switches on all OUTn with grayscale value not zero. Each following rising edge of GSCLK increases the grayscale counter by one. The TLC5940 compares the grayscale value of each output OUTn with the grayscale counter value. All OUTn with grayscale values equal to the counter values are switched off. A BLANK=H signal after 4096 GSCLK pulses resets the grayscale counter to zero and completes the grayscale PWM cycle (see Figure 21). When the counter reaches a count of FFFh, the counter stops counting and all outputs turn off. Pulling BLANK high before the counter reaches FFFh immediately resets the counter to zero.

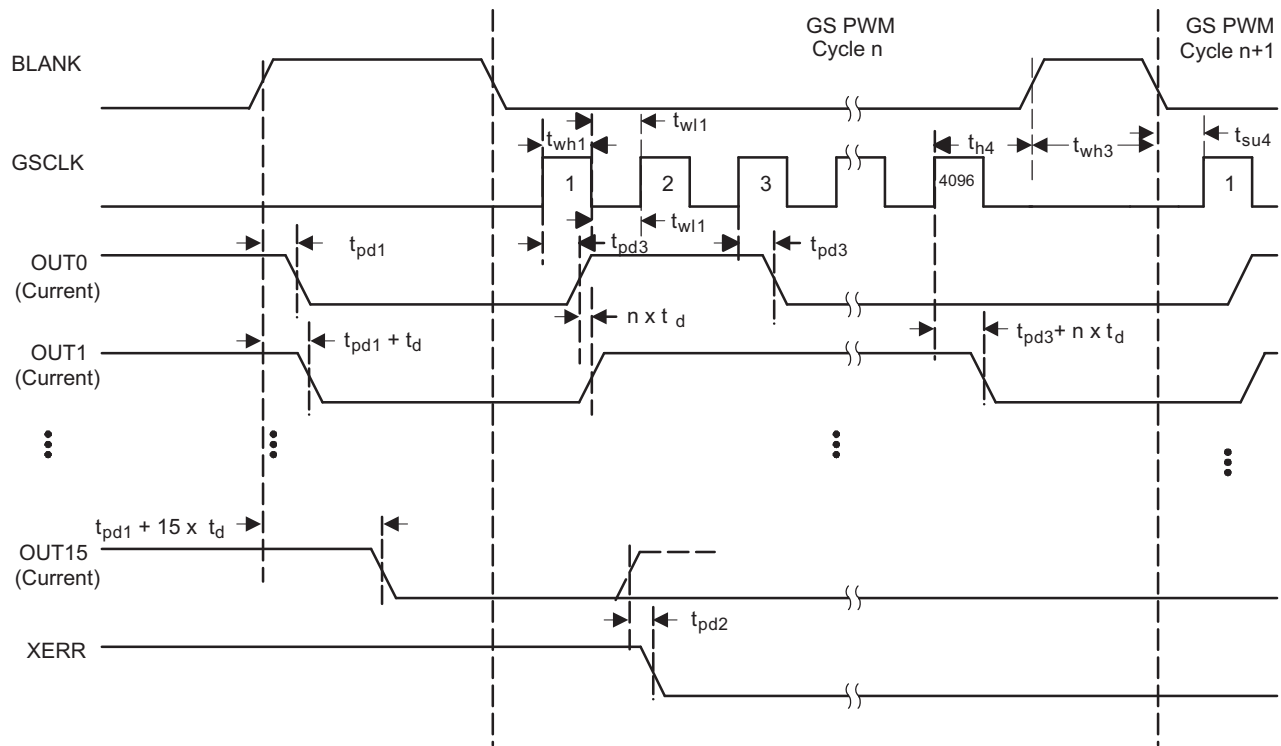


Figure 21. Grayscale PWM Cycle Timing Chart

SERIAL DATA TRANSFER RATE

Figure 22 shows a cascading connection of *n* TLC5940 devices connected to a controller, building a basic module of an LED display system. The maximum number of cascading TLC5940 devices depends on the application system and is in the range of 40 devices. Equation 10 calculates the minimum frequency needed:

$$f_{(GSCLK)} = 4096 \times f_{(update)}$$

$$f_{(SCLK)} = 193 \times f_{(update)} \times n \tag{10}$$

where:

- $f_{(GSCLK)}$: minimum frequency needed for GSCLK
- $f_{(SCLK)}$: minimum frequency needed for SCLK and SIN
- $f_{(update)}$: update rate of whole cascading system
- n*: number cascaded of TLC5940 device

APPLICATION EXAMPLE

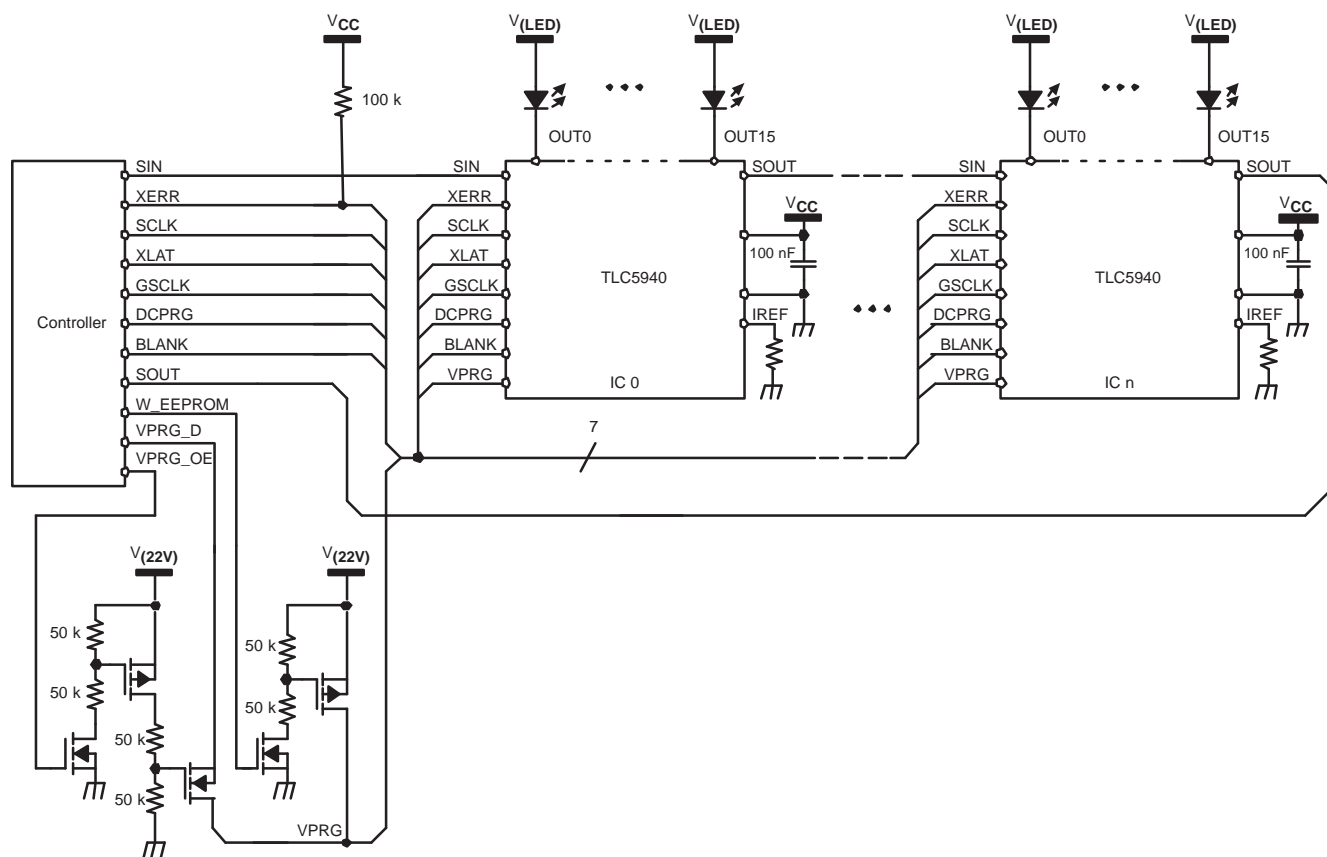


Figure 22. Cascading Devices

PACKAGING INFORMATION

| Orderable Device | Status ⁽¹⁾ | Package Type | Package Drawing | Pins | Package Qty | Eco Plan ⁽²⁾ | Lead/ Ball Finish | MSL Peak Temp ⁽³⁾ | Samples (Requires Login) |
|------------------|-----------------------|--------------|-----------------|------|-------------|----------------------------|----------------------|------------------------------|--------------------------------------|
| TLC5940NT | ACTIVE | PDIP | NT | 28 | 13 | Green (RoHS & no Sb/Br) | CU NIPDAU | N / A for Pkg Type | Request Free Samples |
| TLC5940NTG4 | ACTIVE | PDIP | NT | 28 | 13 | Green (RoHS & no Sb/Br) | CU NIPDAU | N / A for Pkg Type | Request Free Samples |
| TLC5940PWP | ACTIVE | HTSSOP | PWP | 28 | 50 | Green (RoHS & no Sb/Br) | CU NIPDAU | Level-2-260C-1 YEAR | Request Free Samples |
| TLC5940PWPG4 | ACTIVE | HTSSOP | PWP | 28 | 50 | Green (RoHS & no Sb/Br) | CU NIPDAU | Level-2-260C-1 YEAR | Request Free Samples |
| TLC5940PWPR | ACTIVE | HTSSOP | PWP | 28 | 2000 | Green (RoHS & no Sb/Br) | CU NIPDAU | Level-2-260C-1 YEAR | Purchase Samples |
| TLC5940PWPRG4 | ACTIVE | HTSSOP | PWP | 28 | 2000 | Green (RoHS & no Sb/Br) | CU NIPDAU | Level-2-260C-1 YEAR | Purchase Samples |
| TLC5940RHBR | ACTIVE | QFN | RHB | 32 | 3000 | Green (RoHS & no Sb/Br) | CU NIPDAU | Level-2-260C-1 YEAR | Request Free Samples |
| TLC5940RHBRG4 | ACTIVE | QFN | RHB | 32 | 3000 | Green (RoHS & no Sb/Br) | CU NIPDAU | Level-2-260C-1 YEAR | Request Free Samples |

⁽¹⁾ The marketing status values are defined as follows:

ACTIVE: Product device recommended for new designs.

LIFEBUY: TI has announced that the device will be discontinued, and a lifetime-buy period is in effect.

NRND: Not recommended for new designs. Device is in production to support existing customers, but TI does not recommend using this part in a new design.

PREVIEW: Device has been announced but is not in production. Samples may or may not be available.

OBsolete: TI has discontinued the production of the device.

⁽²⁾ Eco Plan - The planned eco-friendly classification: Pb-Free (RoHS), Pb-Free (RoHS Exempt), or Green (RoHS & no Sb/Br) - please check <http://www.ti.com/productcontent> for the latest availability information and additional product content details.

TBD: The Pb-Free/Green conversion plan has not been defined.

Pb-Free (RoHS): TI's terms "Lead-Free" or "Pb-Free" mean semiconductor products that are compatible with the current RoHS requirements for all 6 substances, including the requirement that lead not exceed 0.1% by weight in homogeneous materials. Where designed to be soldered at high temperatures, TI Pb-Free products are suitable for use in specified lead-free processes.

Pb-Free (RoHS Exempt): This component has a RoHS exemption for either 1) lead-based flip-chip solder bumps used between the die and package, or 2) lead-based die adhesive used between the die and leadframe. The component is otherwise considered Pb-Free (RoHS compatible) as defined above.

Green (RoHS & no Sb/Br): TI defines "Green" to mean Pb-Free (RoHS compatible), and free of Bromine (Br) and Antimony (Sb) based flame retardants (Br or Sb do not exceed 0.1% by weight in homogeneous material)

⁽³⁾ MSL, Peak Temp. -- The Moisture Sensitivity Level rating according to the JEDEC industry standard classifications, and peak solder temperature.

Important Information and Disclaimer: The information provided on this page represents TI's knowledge and belief as of the date that it is provided. TI bases its knowledge and belief on information provided by third parties, and makes no representation or warranty as to the accuracy of such information. Efforts are underway to better integrate information from third parties. TI has taken and continues to take reasonable steps to provide representative and accurate information but may not have conducted destructive testing or chemical analysis on incoming materials and chemicals. TI and TI suppliers consider certain information to be proprietary, and thus CAS numbers and other limited information may not be available for release.

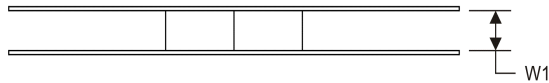
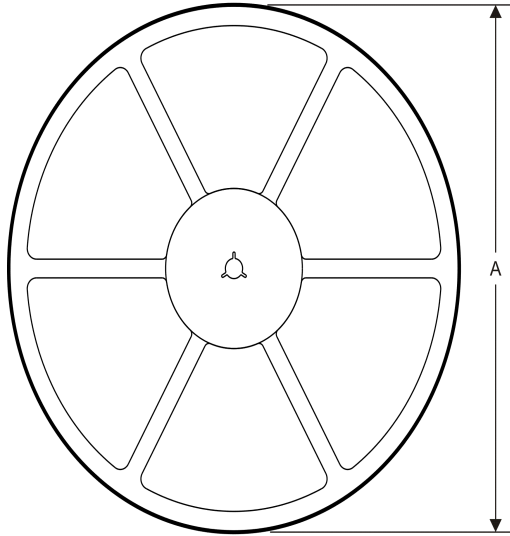
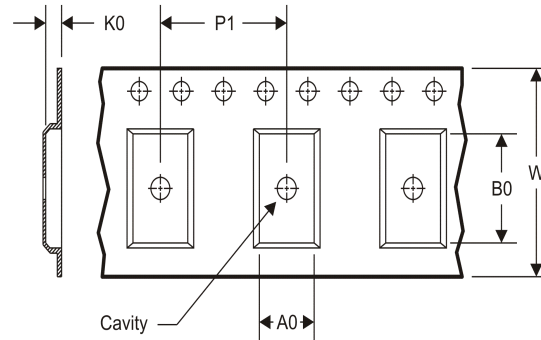
In no event shall TI's liability arising out of such information exceed the total purchase price of the TI part(s) at issue in this document sold by TI to Customer on an annual basis.

OTHER QUALIFIED VERSIONS OF TLC5940 :

- Enhanced Product: [TLC5940-EP](#)

NOTE: Qualified Version Definitions:

- Enhanced Product - Supports Defense, Aerospace and Medical Applications

TAPE AND REEL INFORMATION
REEL DIMENSIONS

TAPE DIMENSIONS


| | |
|----|---|
| A0 | Dimension designed to accommodate the component width |
| B0 | Dimension designed to accommodate the component length |
| K0 | Dimension designed to accommodate the component thickness |
| W | Overall width of the carrier tape |
| P1 | Pitch between successive cavity centers |

TAPE AND REEL INFORMATION

*All dimensions are nominal

| Device | Package Type | Package Drawing | Pins | SPQ | Reel Diameter (mm) | Reel Width W1 (mm) | A0 (mm) | B0 (mm) | K0 (mm) | P1 (mm) | W (mm) | Pin1 Quadrant |
|-------------|--------------|-----------------|------|------|--------------------|--------------------|---------|---------|---------|---------|--------|---------------|
| TLC5940PWPR | HTSSOP | PWP | 28 | 2000 | 330.0 | 16.4 | 7.1 | 10.4 | 1.6 | 12.0 | 16.0 | Q1 |
| TLC5940RHBR | QFN | RHB | 32 | 3000 | 330.0 | 12.4 | 5.3 | 5.3 | 1.5 | 8.0 | 12.0 | Q2 |

TAPE AND REEL BOX DIMENSIONS

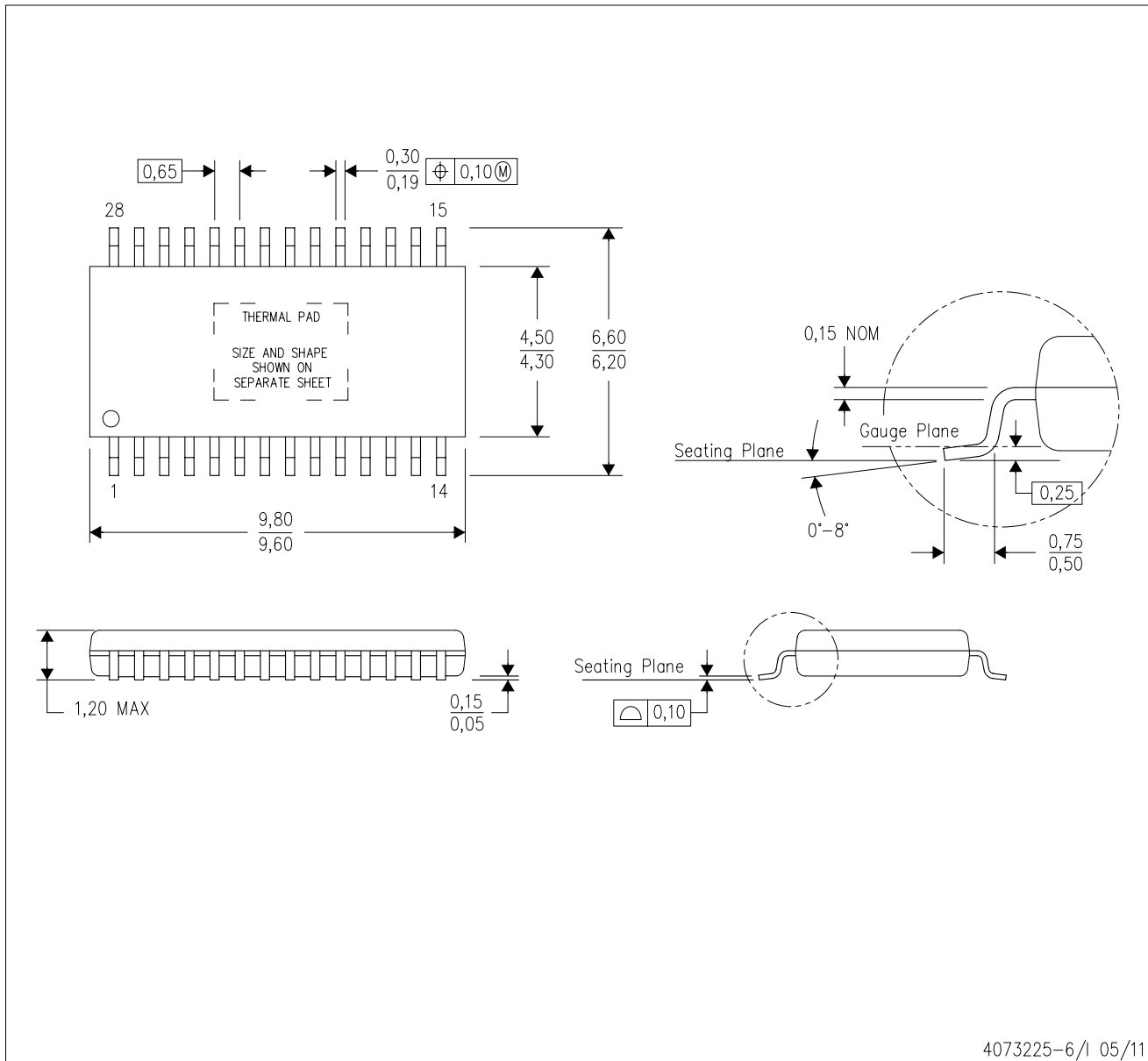

*All dimensions are nominal

| Device | Package Type | Package Drawing | Pins | SPQ | Length (mm) | Width (mm) | Height (mm) |
|-------------|--------------|-----------------|------|------|-------------|------------|-------------|
| TLC5940PWPR | HTSSOP | PWP | 28 | 2000 | 367.0 | 367.0 | 38.0 |
| TLC5940RHBR | QFN | RHB | 32 | 3000 | 367.0 | 367.0 | 35.0 |

MECHANICAL DATA

PWP (R-PDSO-G28)

PowerPAD™ PLASTIC SMALL OUTLINE



- NOTES:
- All linear dimensions are in millimeters.
 - This drawing is subject to change without notice.
 - Body dimensions do not include mold flash or protrusions. Mold flash and protrusion shall not exceed 0.15 per side.
 - This package is designed to be soldered to a thermal pad on the board. Refer to Technical Brief, PowerPad Thermally Enhanced Package, Texas Instruments Literature No. SLMA002 for information regarding recommended board layout. This document is available at www.ti.com <<http://www.ti.com>>.
 - See the additional figure in the Product Data Sheet for details regarding the exposed thermal pad features and dimensions.
 - Falls within JEDEC MO-153

PowerPAD is a trademark of Texas Instruments.

THERMAL PAD MECHANICAL DATA

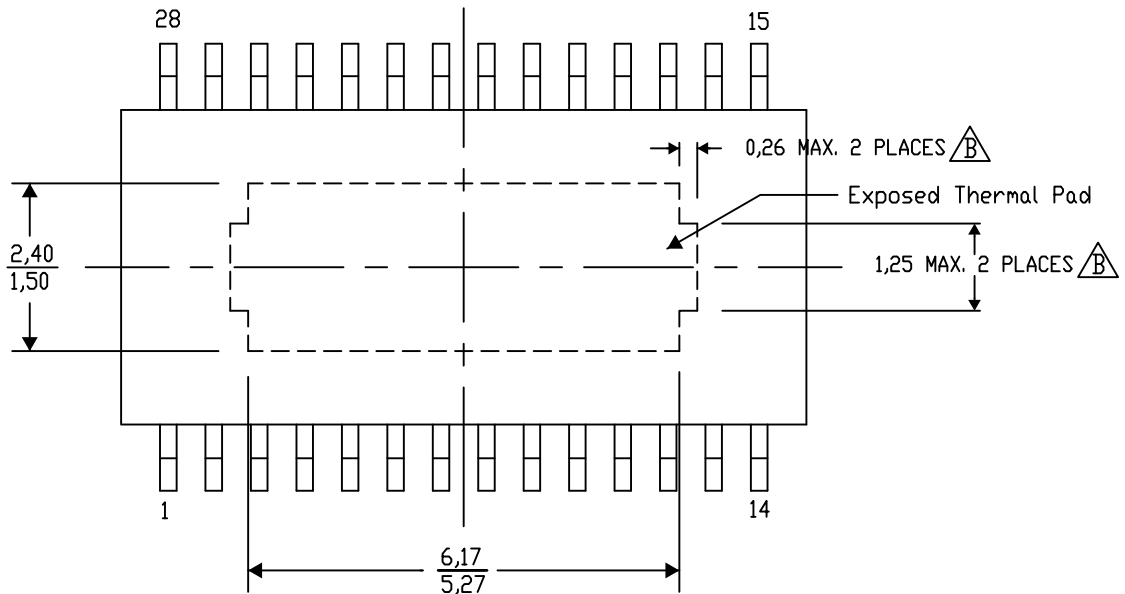
PWP (R-PDSO-G28) PowerPAD™ SMALL PLASTIC OUTLINE

THERMAL INFORMATION

This PowerPAD™ package incorporates an exposed thermal pad that is designed to be attached to a printed circuit board (PCB). The thermal pad must be soldered directly to the PCB. After soldering, the PCB can be used as a heatsink. In addition, through the use of thermal vias, the thermal pad can be attached directly to the appropriate copper plane shown in the electrical schematic for the device, or alternatively, can be attached to a special heatsink structure designed into the PCB. This design optimizes the heat transfer from the integrated circuit (IC).

For additional information on the PowerPAD package and how to take advantage of its heat dissipating abilities, refer to Technical Brief, PowerPAD Thermally Enhanced Package, Texas Instruments Literature No. SLMA002 and Application Brief, PowerPAD Made Easy, Texas Instruments Literature No. SLMA004. Both documents are available at www.ti.com.

The exposed thermal pad dimensions for this package are shown in the following illustration.



Top View

Exposed Thermal Pad Dimensions

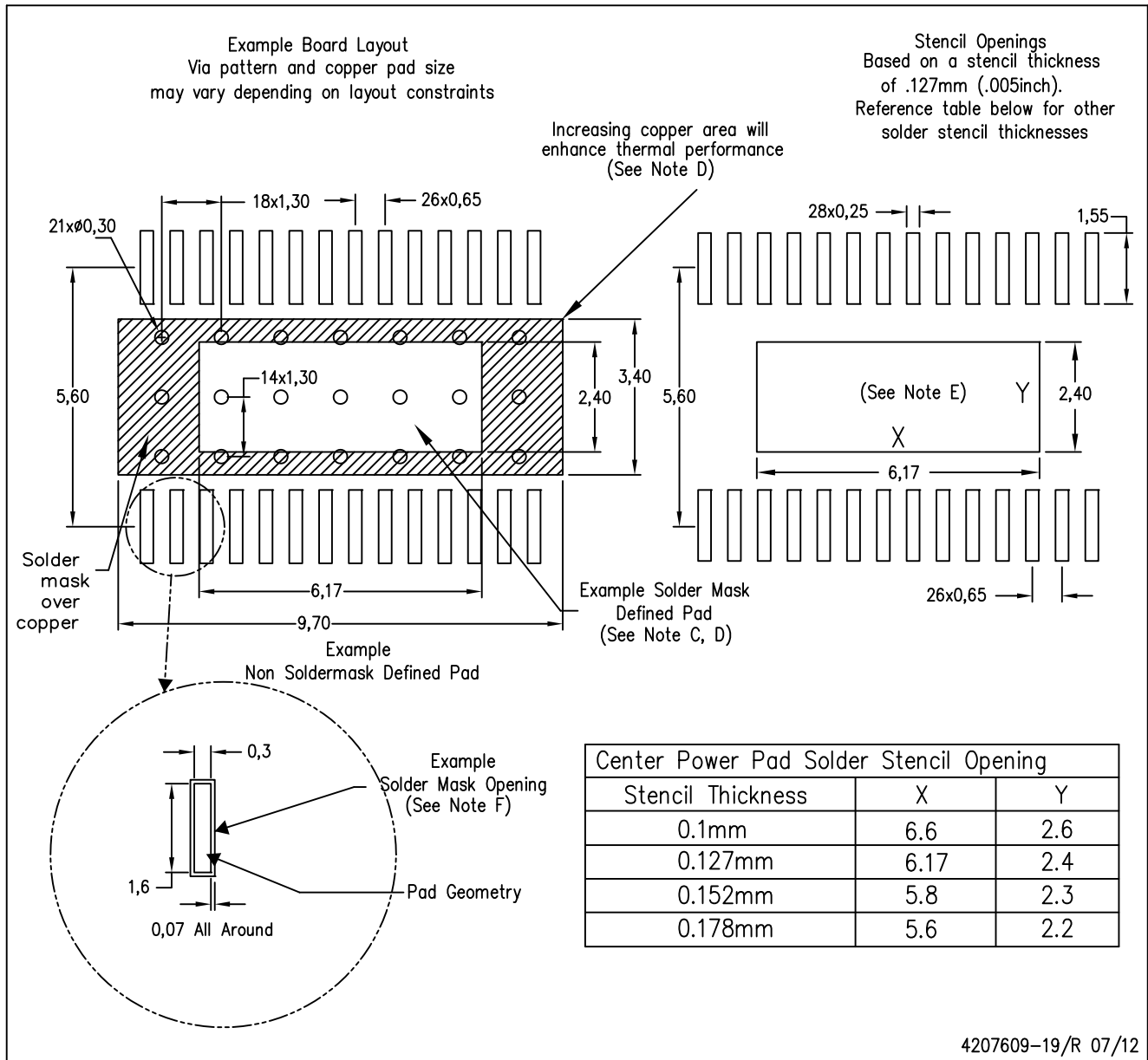
4206332-33/AC 07/12

NOTE: A. All linear dimensions are in millimeters
 $\triangle B$. Exposed tie strap features may not be present.

PowerPAD is a trademark of Texas Instruments

PWP (R-PDSO-G28)

PowerPAD™ PLASTIC SMALL OUTLINE



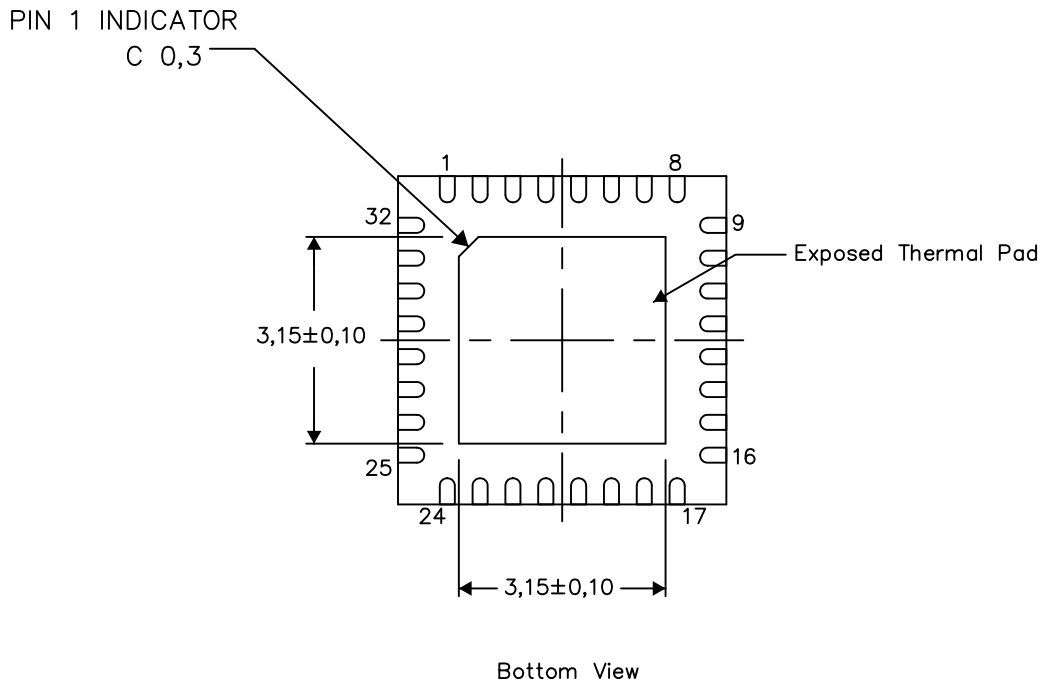
- NOTES:
- All linear dimensions are in millimeters.
 - This drawing is subject to change without notice.
 - Customers should place a note on the circuit board fabrication drawing not to alter the center solder mask defined pad.
 - This package is designed to be soldered to a thermal pad on the board. Refer to Technical Brief, PowerPad Thermally Enhanced Package, Texas Instruments Literature No. SLMA002, SLMA004, and also the Product Data Sheets.
 - For specific thermal information, via requirements, and recommended board layout. These documents are available at www.ti.com <<http://www.ti.com>>. Publication IPC-7351 is recommended for alternate designs. Laser cutting apertures with trapezoidal walls and also rounding corners will offer better paste release. Customers should contact their board assembly site for stencil design recommendations. Example stencil design based on a 50% volumetric metal load solder paste. Refer to IPC-7525 for other stencil
 - Customers should contact their board fabrication site for solder mask tolerances between and around signal pads.

THERMAL INFORMATION

This package incorporates an exposed thermal pad that is designed to be attached directly to an external heatsink. The thermal pad must be soldered directly to the printed circuit board (PCB). After soldering, the PCB can be used as a heatsink. In addition, through the use of thermal vias, the thermal pad can be attached directly to the appropriate copper plane shown in the electrical schematic for the device, or alternatively, can be attached to a special heatsink structure designed into the PCB. This design optimizes the heat transfer from the integrated circuit (IC).

For information on the Quad Flatpack No-Lead (QFN) package and its advantages, refer to Application Report, QFN/SON PCB Attachment, Texas Instruments Literature No. SLUA271. This document is available at www.ti.com.

The exposed thermal pad dimensions for this package are shown in the following illustration.



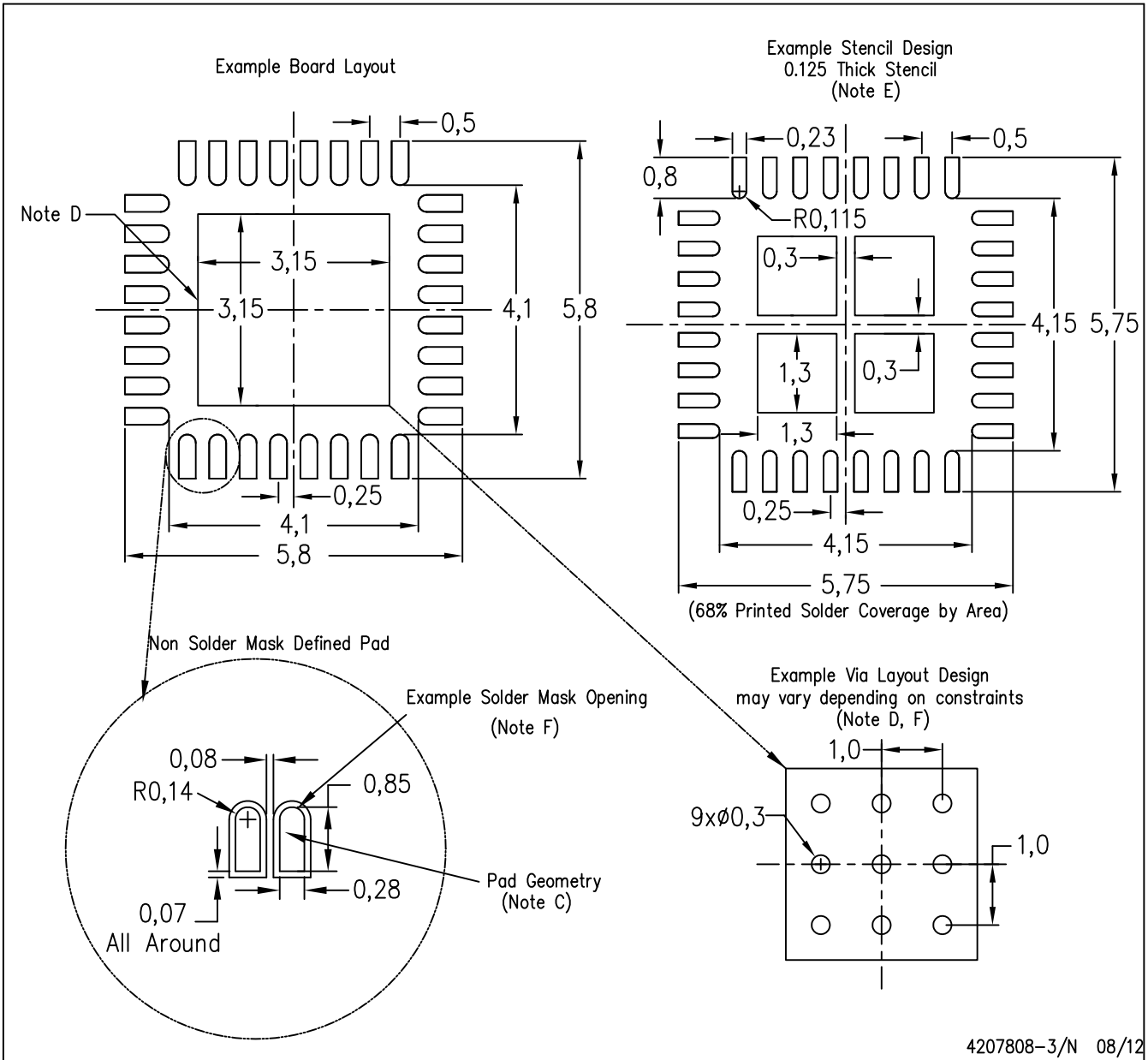
Exposed Thermal Pad Dimensions

4206356-3/W 09/12

NOTE: A. All linear dimensions are in millimeters

RHB (S-PVQFN-N32)

PLASTIC QUAD FLATPACK NO-LEAD



- NOTES:
- All linear dimensions are in millimeters.
 - This drawing is subject to change without notice.
 - Publication IPC-7351 is recommended for alternate designs.
 - This package is designed to be soldered to a thermal pad on the board. Refer to Application Note, Quad Flat-Pack Packages, Texas Instruments Literature No. SLUA271, and also the Product Data Sheets for specific thermal information, via requirements, and recommended board layout. These documents are available at www.ti.com <<http://www.ti.com>>.
 - Laser cutting apertures with trapezoidal walls and also rounding corners will offer better paste release. Customers should contact their board assembly site for stencil design recommendations. Refer to IPC 7525 for stencil design considerations.
 - Customers should contact their board fabrication site for recommended solder mask tolerances and via tenting recommendations for vias placed in the thermal pad.

IMPORTANT NOTICE

Texas Instruments Incorporated and its subsidiaries (TI) reserve the right to make corrections, enhancements, improvements and other changes to its semiconductor products and services per JESD46, latest issue, and to discontinue any product or service per JESD48, latest issue. Buyers should obtain the latest relevant information before placing orders and should verify that such information is current and complete. All semiconductor products (also referred to herein as "components") are sold subject to TI's terms and conditions of sale supplied at the time of order acknowledgment.

TI warrants performance of its components to the specifications applicable at the time of sale, in accordance with the warranty in TI's terms and conditions of sale of semiconductor products. Testing and other quality control techniques are used to the extent TI deems necessary to support this warranty. Except where mandated by applicable law, testing of all parameters of each component is not necessarily performed.

TI assumes no liability for applications assistance or the design of Buyers' products. Buyers are responsible for their products and applications using TI components. To minimize the risks associated with Buyers' products and applications, Buyers should provide adequate design and operating safeguards.

TI does not warrant or represent that any license, either express or implied, is granted under any patent right, copyright, mask work right, or other intellectual property right relating to any combination, machine, or process in which TI components or services are used. Information published by TI regarding third-party products or services does not constitute a license to use such products or services or a warranty or endorsement thereof. Use of such information may require a license from a third party under the patents or other intellectual property of the third party, or a license from TI under the patents or other intellectual property of TI.

Reproduction of significant portions of TI information in TI data books or data sheets is permissible only if reproduction is without alteration and is accompanied by all associated warranties, conditions, limitations, and notices. TI is not responsible or liable for such altered documentation. Information of third parties may be subject to additional restrictions.

Resale of TI components or services with statements different from or beyond the parameters stated by TI for that component or service voids all express and any implied warranties for the associated TI component or service and is an unfair and deceptive business practice. TI is not responsible or liable for any such statements.

Buyer acknowledges and agrees that it is solely responsible for compliance with all legal, regulatory and safety-related requirements concerning its products, and any use of TI components in its applications, notwithstanding any applications-related information or support that may be provided by TI. Buyer represents and agrees that it has all the necessary expertise to create and implement safeguards which anticipate dangerous consequences of failures, monitor failures and their consequences, lessen the likelihood of failures that might cause harm and take appropriate remedial actions. Buyer will fully indemnify TI and its representatives against any damages arising out of the use of any TI components in safety-critical applications.

In some cases, TI components may be promoted specifically to facilitate safety-related applications. With such components, TI's goal is to help enable customers to design and create their own end-product solutions that meet applicable functional safety standards and requirements. Nonetheless, such components are subject to these terms.

No TI components are authorized for use in FDA Class III (or similar life-critical medical equipment) unless authorized officers of the parties have executed a special agreement specifically governing such use.

Only those TI components which TI has specifically designated as military grade or "enhanced plastic" are designed and intended for use in military/aerospace applications or environments. Buyer acknowledges and agrees that any military or aerospace use of TI components which have **not** been so designated is solely at the Buyer's risk, and that Buyer is solely responsible for compliance with all legal and regulatory requirements in connection with such use.

TI has specifically designated certain components which meet ISO/TS16949 requirements, mainly for automotive use. Components which have not been so designated are neither designed nor intended for automotive use; and TI will not be responsible for any failure of such components to meet such requirements.

Products

| | |
|------------------------------|--|
| Audio | www.ti.com/audio |
| Amplifiers | amplifier.ti.com |
| Data Converters | dataconverter.ti.com |
| DLP® Products | www.dlp.com |
| DSP | dsp.ti.com |
| Clocks and Timers | www.ti.com/clocks |
| Interface | interface.ti.com |
| Logic | logic.ti.com |
| Power Mgmt | power.ti.com |
| Microcontrollers | microcontroller.ti.com |
| RFID | www.ti-rfid.com |
| OMAP Applications Processors | www.ti.com/omap |
| Wireless Connectivity | www.ti.com/wirelessconnectivity |

Applications

| | |
|-------------------------------|--|
| Automotive and Transportation | www.ti.com/automotive |
| Communications and Telecom | www.ti.com/communications |
| Computers and Peripherals | www.ti.com/computers |
| Consumer Electronics | www.ti.com/consumer-apps |
| Energy and Lighting | www.ti.com/energy |
| Industrial | www.ti.com/industrial |
| Medical | www.ti.com/medical |
| Security | www.ti.com/security |
| Space, Avionics and Defense | www.ti.com/space-avionics-defense |
| Video and Imaging | www.ti.com/video |

TI E2E Community

e2e.ti.com