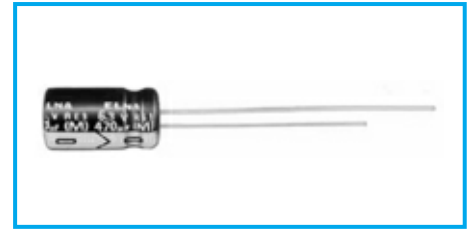
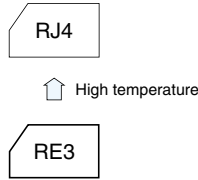


Standard Capacitors Series RE3

- Guaranteed 2000 hours at 85°C.



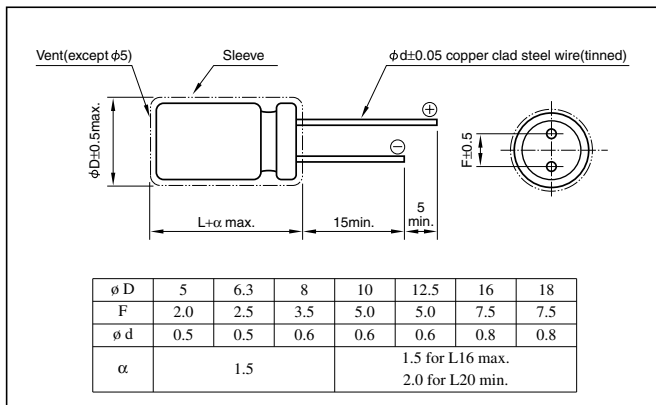
Marking color : White print on a blue sleeve or White print on an indigo blue sleeve

Specifications

Item	Performance
Category temperature range (°C)	-40 to +85
Tolerance at rated capacitance (%)	±20 (20°C,120Hz)
Leakage current (µA)	Rated voltage (V) 6.3 to 100 160 to 450
	Leakage current (µA) Less than 0.03CV or 4 whichever is larger(after 1 minute) Less than 0.01CV or 3 whichever is larger(after 2 minutes) CV≤1000: Less than 0.1CV+40(after 1 minute) CV>1000: Less than 0.04CV+100(after 1 minute)
C: Rated capacitance(µF) V: Rated voltage(V) (20°C)	
Tangent of loss angle (tanδ)	Rated voltage (V) 6.3 10 16 25 35 50 63 100 160 200 250 315 350 400 450
	tanδ (max.) 0.28 0.24 0.20 0.16 0.14 0.12 0.10 0.08 0.20 0.20 0.20 0.24 0.24 0.24 0.24
0.02 is added to every 1000µF increase over 1000µF. (20°C,120Hz)	
Characteristics at high and low temperature	Rated voltage (V) 6.3 10 16 25 35 50 63 100 160 200 250 315 350 400 450
	Impedance ratio (max.) Z-25°C / Z+20°C 5 4 3 2 2 2 2 2 4 4 4 4 4 4 4 Z-40°C / Z+20°C 12 10 8 5 4 3 3 3 15 15 15 10 10 10 10
(120Hz)	
Endurance (85°C) (Applied ripple current)	Test time 2000 hours
	Leakage current The initial specified value or less
	Percentage of capacitance change Within ±20% of initial value
	Tangent of the loss angle 200% or less of the initial specified value
Shelf life (85°C)	Test time : 1000 hours; other items are the same as those for the endurance. Voltage application treatment
Applicable standards	JIS C5101-1, -4 1998 (IEC 60384-1 1992, -4 1985)

Outline Drawing

Unit: mm



Coefficient of Frequency for Rated Ripple Current

Rated voltage(V)	Frequency(Hz) CV(µF×V)	50 · 60	120	1k	10k	100k
		6.3 to 16	All CV value	0.8	1	1.1
25 to 35	≤1000	0.8	1	1.5	1.7	1.7
	1000<	0.8	1	1.2	1.3	1.3
50 to 100	≤1000	0.8	1	1.6	1.9	1.9
	1000<	0.8	1	1.2	1.3	1.3
160 to 450	All CV value	0.8	1	1.3	1.5	1.6

Part numbering system (example: 16V1000µF)

Environmental item	RE3	—	16	V	102	M	H4	#
	Series code		Rated voltage symbol		Rated capacitance symbol	Capacitance tolerance symbol	Casing symbol	
Former item	RE3	—	16	V	102	M		
	Series code		Rated voltage symbol		Rated capacitance symbol	Capacitance tolerance symbol		

Casing symbol

Size φ DxL(mm)	Casing Symbol	Size φ DxL(mm)	Casing Symbol
5x11	E3	12.5x25	I 6
6.3x11	F3	16x25	J 6
8x11.5	G3	16x31.5	J 7
10x12.5	H3	16x35.5	J 8
10x16	H4	18x35.5	K8
10x20	H5	18x40	K9
12.5x20	I 5		

- The standard ratings are described on the next page.

