



TAIWAN OASIS LED DATA SHEET

PART NO. : TOS-12101BS-B

ABSOLUTE MAXIMUM RATINGS AT TA=25°C

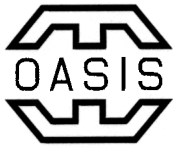
PARAMETER	VALUE	UNITS
Power Dissipation Per Segment (Except Dp)	120	mW
Peak Forward Current Per Segment (1/10 Duty Cycle, 0.1ms Pulse Width)	80	mA
Continuous Forward Current Per Segment	20	mA
Recommend Operating Current	12	mA
Reverse Voltage Per Segment (Except Dp)	10	V
Operating Temperature Range	-25 to +85	°C
Storage Temperature Range	-30 to +85	°C
Junction Temperature	+85	°C
Lead Solder Temperature(1/10 Inch Below Seating Plane)	260°C for 3 sec.	

ELECTRICAL/OPTICAL CHARACTERISTICS AT TA=25°C

PARAMETER	SYMBOL	MIN.	TYP.	MAX.	UNITS	TEST CONDITION	GRADE
Luminous Intensity Per Segment	Iv	10384	11941	13499	ucd	IF=10mA	P
Luminous Intensity Per Segment	Iv	13500	15524	17549	ucd	IF=10mA	R
Luminous Intensity Per Segment	Iv	17550	21937	26325	ucd	IF=10mA	S
Peak Emission Wavelength	λ_p		660		nm	IF=20mA	
Spectral Line Half-Width	$\Delta\lambda$		20		nm	IF=20mA	
Forward Voltage Per Segment (Except Dp)	VF	3.4	3.6	4.0	V	IF=20mA	
Reverse Current Per Segment (Except Dp)	IR			20	μA	VR=10V	
Luminous Intensity Matching Rate	Iv-m			1.5:1		IF=20mA	

Notes: Above specification may be changed without notice.

DATE	01/23/03'	SCALE	———	DRAWING NO.	S-12101BS-B-A	DRAWN	H.X.K	CHECKED	
UNIT	———	SHEET NO.	2/2			CUSTOMER		APPROVED	

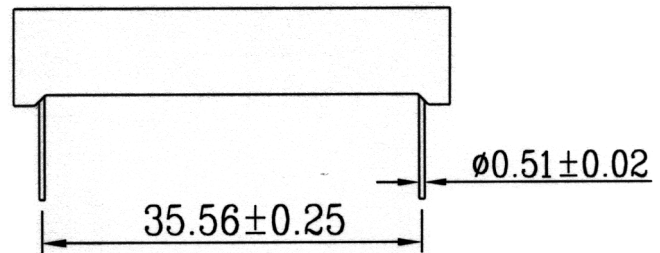
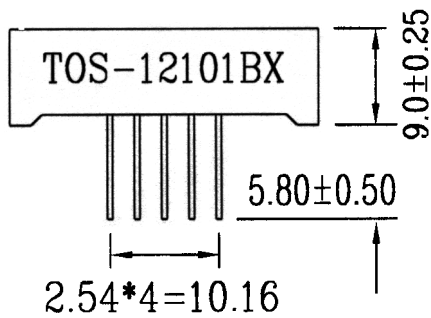
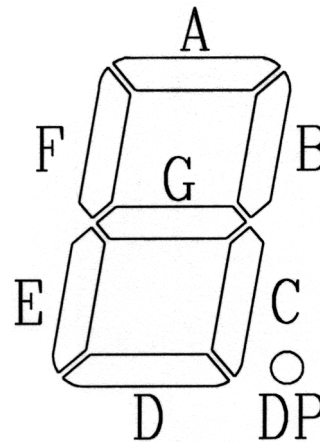
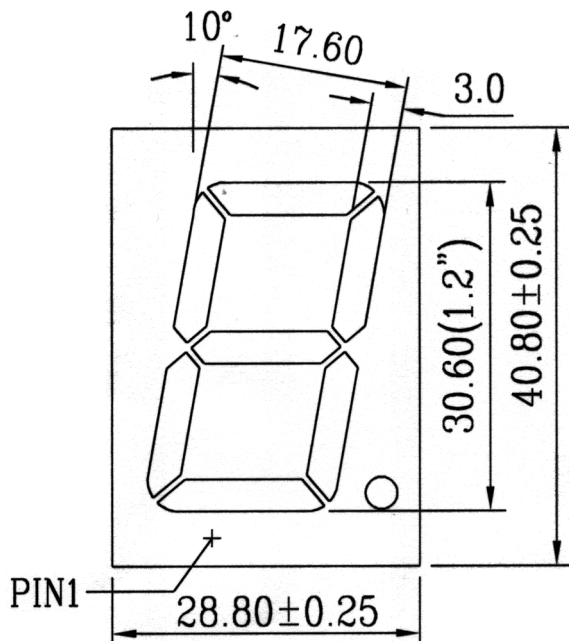


TAIWAN OASIS LED DATA SHEET

PART NO. TOS 12101BS B

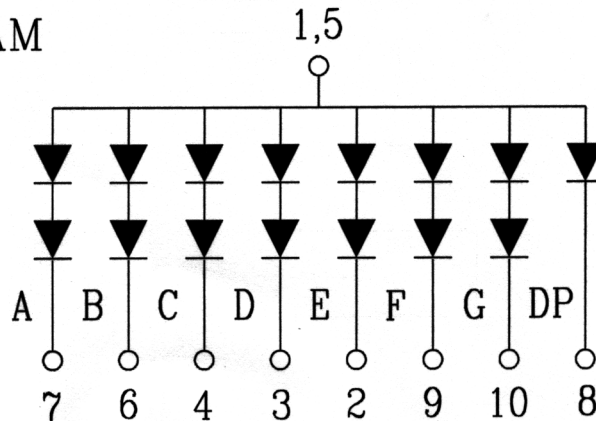
APPEARANCE			TECHNOLOGIE	GaAlAs/GaAs
FACE	SEGMENT	PIN	SOURCE COLOR	Super-Red
Black	White	∅0.51x10.28	DRIVER MODE	Com. Anode
			PACKING	Styrene Foam

PACKAGE DIMENSIONS



NORMAL TOLERANCE: ±0.25 ANGLE: ±1°

INTERNAL CIRCUIT DIAGRAM



DATE	11/14/01'	SCALE	1.4:1	DRAWING NO.	S-12101BS-B-A	DRAWN	H.X.K	CHECKED	
UNIT	M/M	SHEET NO.	1/2			CUSTOMER		APPROVED	